

SUREFIRE
40
YEARS

1979 | 2019





TO OUR CUSTOMERS – THE WARFIGHTERS, THE PEACEKEEPERS, THE PATRIOT-CITIZENS – WHETHER IT BE THE DEFENSE OF OUR COUNTRY, OUR STREETS, OR YOUR LOVED ONES, IT HAS BEEN OUR HONOR TO SUPPORT YOU THESE PAST 40 YEARS. THANK YOU FOR SUPPORTING OUR MISSION AND AMERICAN MANUFACTURING IN RETURN – WE SALUTE YOU.

1979 | 2019

"THIS IS ALL ABOUT WINNING THE FIGHT"

- DR. JOHN MATTHEWS



40 YEARS

A PROVEN TRACK RECORD OF INNOVATION AND A FIRM FOUNDATION FOR THE FUTURE

SureFire has come a long way since we introduced the first ever commercial laser sight in 1979. Shortly thereafter we recognized the value of high-intensity light in deadly force situations. The company made its mark with tactical illumination tools, but we didn't stop there. Since that time, we have become the industry leader in the area of sound suppressors and pioneered other groundbreaking tactical technology.

With this solid track record, please allow me to say that I am personally proud of the many innovations the SureFire team has achieved.

We make serious products for hard use in life-and-death situations. Our warfighters, law enforcement officers and law-abiding citizens deserve no less. SureFire makes this gear with a commitment to these warriors, and we never cut corners. If this means our products are more expensive than those from other manufacturers, so be it. It costs what it costs to make things right and to keep American jobs in America.

The bottom line is that you need quality SureFire gear to maximize the odds when your survival is at stake, and if you don't have it, you are at a disadvantage. Period.

The products in this catalog are the best we have offered to date, the result of years and years of evolution. That said, they are only the beginning for SureFire. Our first four decades of operations have given us a level of technical expertise we are using – as you read this – to develop tactical tools every bit as revolutionary as the ones that brought SureFire to prominence worldwide.

I encourage you to read this catalog, but please check back soon. You have my word that you will be glad you did.

1979 2019

SUREFIRE
40
YEARS

John W. Matthews
JOHN MATTHEWS
SUREFIRE FOUNDER & PRESIDENT

MIKE VOIGT 1958-2018

HEROES COME FROM ALL WALKS OF LIFE, BUT FEW IN THE INDUSTRY MADE A GREATER IMPACT THAN MICHAEL VOIGT

In the world of sports, a few exceptional individuals rise to the top, joining a rarified group that defines the word excellence. Tiger Woods. Peyton Manning. Looking farther back in time, Babe Ruth. Practical shooting competition is no different, and in that crucible of speed and accuracy, a small handful of champions have become legendary figures. Our friend and colleague Michael Voigt definitely fell into that category.

Like all World Class winners, Mike had a rare, innate aptitude for the endeavor. And like them, he also invested old-fashioned hard work over the long haul. He began competing in local pistol matches in California's San Joaquin Valley, quickly gaining the skill required to finish first on the score sheet. Soon losing interest in being a big fish in a small pond, he set his sights on The Big League. Nationals. World Shoots. The Bianchi Cup. And his favorite: MultiGun matches.

Mike's competitive record is impressive by anyone's standards. It is a tremendous accomplishment to win a single national championship. Mike won *fourteen* United States Practical Shooting Association MultiGun Nationals, and he made his mark on the world stage as a two-time International Practical Shooting Confederation Individual Champion and a six-time International Tactical Precision Rifle Team Champion. Mike was also an SDF World 3-Gun Champion, Superstition Mountain Mystery 3-Gun Champion, Rocky Mountain World 3-Gun Champion, an NRA Bianchi Cup World Champion team member, and a Chevy Truck Team Challenge Champion Team member. It is particularly noteworthy that Mike excelled at several highly specialized disciplines. His 20+ IPSC Gold Medals in handgun, shotgun and rifle, and his Arizona State Sporting Clay Championship title, are proof of his amazing talent.

As an ambassador who advanced the cause of the sport he loved, Mike is also in elite company. He served as president of USPSA from 2000-2012, and his leadership greatly improved its stature within the firearms industry. Among his many accomplishments, Mike successfully encouraged USPSA to adopt its own rulebook, a move that helped USPSA gain even greater credibility. His influence also attracted more sponsorship support to the organization, aiding its growth. He also served as the IPSC Rules Chairman, an IPSC President's Council member and a PRS Board of Directors member.

Mike used the knowledge gained in competition in the service of his country. He trained warriors at the very tip of America's spear and in NATO countries, passing on the esoteric techniques that brought him victory on the range. Likely many members of the U.S. military owe their lives the shooting skills they learned from Mike. He brought his specialized expertise to SureFire, contributing to the design of myriad suppressor products. This fighting hardware performs significantly better due to his input.

Of course, there was much more to Mike than his shooting career. He was a devoted husband and father, and a loyal friend. Though he will be sorely missed by those closest to him, his legacy lives on through his multi-faceted accomplishments. Perhaps of greater importance, his spirit will endure in the many, many lives he touched. The people in question are all better off for having met him.

Rest in Peace, Mike, and thank you.

LEGEND
MIKE VOIGT
1958-2018

CAREER HIGHLIGHTS

- » 14-time United States Practical Shooting Association (USPSA) MultiGun National Champion
- » Two-time International Practical Shooting Confederation (IPSC) World Individual Champion
- » Seven-time IPSC World Shoot (team) Gold Medalist
- » Six-time International Tactical Precision Rifle Champion
- » NRA Bianchi Cup World Champion
- » Superstition Mountain Mystery 3-Gun Champion
- » Rocky Mountain World 3-Gun Champion





CONTENTS

02

40 YEARS:
JOHN MATTHEWS

04

THE LEGACY OF
MIKE VOIGT

08

40 YEARS
OF INNOVATION

10

ICONS &
BEAM PATTERNS

12

TACTICAL
ILLUMINATION 101

14

WEAPONLIGHTS

48

SCOUT LIGHT
MATRIX

52

HANDHELD
LIGHTS

72

HANDS-FREE
LIGHTS

80

SOUND
SUPPRESSORS

106

ACCESSORIES

114

HEARING
PROTECTION

122

APPAREL

124

SPECIFICATIONS

40 YEARS OF INNOVATION

For over 40 years, we've built the best for the best. Hardcore users depend on SureFire products to get them home safely. It all starts with truly innovative designs at the cutting edge of technology. Equally important, SureFire's unwavering commitment to use the finest materials and components – assembled with precision manufacturing methods – results in unsurpassed quality. Every time you use a SureFire product you know you'll get the best out of it, because the best went into it.

SureFire illumination tools are the finest in the world – compact, rugged, powerful, reliable, and efficient. Engineered for maximum performance and manufactured with precision, they produce optimal beams featuring impressive light output with no defects or shadows. That's why people whose lives depend on having the right amount of light when they need it – such as military personnel, law enforcement officers, emergency responders, outdoors professionals and adventurers – rely on SureFire.



LASER PRODUCTS



1979 **1985** **1986** **1988** **1990**

LASER PRODUCTS
MODEL 7: Helium-Neon laser light built for Colt Trooper

MODEL 310
WeaponLight for Colt 1911 developed

SHOTGUN FOREND
Introduced with integrated WeaponLight to replace factory shotgun forends

MODEL 6P
The first compact high-intensity flashlight introduced

MODEL 7LSM (L70)
The first solid-state laser sight



1996

SUREFIRE INSTITUTE
Established to provide comprehensive tactical training for users of SureFire products



1997

MODEL 6Z
The first flashlight with Combat Grip



2000

MODEL M6®
Ultra high-output Special Ops flashlight delivers 500 lumens



2001

SUREFIRE®
Laser Products become SureFire, LLC



2002

SUREFIRE SUPPRESSOR DIVISION
Established to reinvent suppressor technology



2004 **2005** **2006** **2008** **2009**

X200
The first LED handgun Weaponlight

KROMA
Developed for the Defense Advanced Research Projects Agency (DARPA) utilizing advanced optical and electronic technologies to provide warfighters with next-generation tactical lighting

EARPRO
SureFire creates its EarPro division to introduce game-changing hearing protection products

SAINT™ HEADLAMP
Developed to redefine the headlamp for task-oriented and outdoor use

VAMPIRE LIGHT TECHNOLOGY
SureFire combines infrared and white light in a single revolutionary illumination tool



2011

SOCOM556-RC
SureFire wins the rigorous USSOCOM Suppressor Trials, becoming the standard-issue suppressor for elite US military special operations units



2011

2211™ WRISTLIGHT
Attaches to wrist. Easily activated when weapon is drawn



2012

X300U-A
SureFire delivers the X300U-A, which is rapidly adopted by law enforcement agencies, including the Los Angeles County Sheriff Department



2015

INTELLIBEAM®:
SureFire introduces the first tactical smartlight, which adjusts light output by reading the environment faster than the human eye



2017

MASTERFIRE®
Rapid Deploy Holster system introduced.



2018

STILETTO®
Packed with technology and designed for concealed carry, Stiletto represents the future of tactical hand-held illumination tools.



ICONS



TIR LENS

Total Internal Reflection (TIR) lens creates a far-reaching, high intensity beam with ample surround light



MAXVISION BEAM®

"MaxVision Beam (MVB) is smooth, broad light pattern perfect for close- to mid-range tasks



INTELLIBEAM®

Auto-adjusting output



MULTIPLE SETTINGS

Selectable output levels, spectrum, or other modes



MASTERFIRE®

MasterFire Holster System compatible



COMBAT GRIP

For tactical use with handguns



S.O.S. MODE

Selectable emergency beacon



RECHARGEABLE

Included battery can be easily recharged



FUEL GAUGE

Indicates battery charge level



PROTECTION

IPX Rating of protection against the elements



REFLECTOR

Parabolic reflector creates versatile beam with bright center and significant surround light



HIGH INTENSITY DISCHARGE

HID emitter paired with reflector produces farthest reaching beam



IR / VISIBLE LED

Features infrared and visible light from one LED head



PROGRAMMABLE

User-programmable light output



LASER

Features integrated laser sight in various spectrums



STROBE MODE

Selectable strobing light for tactical applications



IFF BEACON

Infrared LED beacon serves as Identification: friend or foe (IFF)



DUAL FUEL

Powered by Li-ion, 123A, or other battery or power sources



USB CHARGING PORT

Cable included



LUMENS / CANDELA

Product lumen and candela output information

BEAM PATTERN

When discussing beam patterns, we are describing how the light being emitted (as measured in lumens) is distributed in the beam of light from the handheld flashlight, WeaponLight, WristLight or other SureFire tactical illumination tool. Generally speaking, these beams of light are circularly symmetrical. The brightest (i.e., highest candela value) light is at the beam's center, and it gradually or abruptly diminishes in brightness as one moves out to the far edge of the beam, depending on the optic in question.

To illuminate objects at longer distances, optics that produce narrow, high-intensity (i.e., high-candela) beams are needed. These optics also produce a much lower-intensity, wide-angle area of the beam that is useful for finding where to point the narrow, high-intensity portion of the beam, which also enhances situational awareness. SureFire has developed numerous lights with optics of this type, the most effective at this point in time being our proprietary Total Internal Reflection (TIR) lens.

For applications where the ranges are considerably shorter, a much broader, lower-intensity beam is generally desirable. SureFire's MaxVision Beam® is the most effective developed to date. With this type of beam the intensity varies gradually, from the beam's center out to its edges, so you don't perceive the bright center spot when you shine the beam on a wall. The illumination appears to be uniform, even though it is still over 10 times brighter at the center than at the outer edges of the beam. The MaxVision Beam is ideal for headlamps, WristLights, handheld flashlights, and handgun WeaponLights that are most likely to be used at ranges less than 25 meters.

SureFire has optimized our illumination tool optics for the widest possible range of applications, with the right balance of maximum beam intensity and the width of the higher-candela portion of the beam for intermediate ranges and a beam optimized for long-range use. You simply need to choose the best beam pattern for the task at hand. Lastly, SureFire offers lights with dual optics, one of which produces a beam optimized for short-range use, and another separate optic for longer range. This is the best solution for those who can accept a modest increase in size, weight, and cost.



TACTICAL ILLUMINATION 101

There's a reason why SureFire's world-renowned line of tactical illumination tools aren't "one size fits all." You can trust that SureFire has the right tool to accomplish your mission, but choosing the best one for you is a matter of honestly assessing your needs. Here are some points to consider.

While more light is better, there's also more to the equation than just raw lumens. The beam's intensity, or candela, and how the light beam is shaped and focused can be just as important as output.

YOU CAN TRUST THAT SUREFIRE HAS THE RIGHT TOOL TO ACCOMPLISH YOUR MISSION™



CRITERIA TO CONSIDER

Light Spectrum: White light is usually, but not always, the best choice. Infrared LEDs provide stealth illumination to augment night vision devices while being virtually invisible to the naked eye. SureFire's V-Series WeaponLights feature user-selectable white light and IR output in the same device. Lower-output and colored secondary LEDs – often used for navigation – minimize light signature and help preserve dark-adapted vision.

Laser Aiming Capability: In addition to sufficient light for positive threat identification, a laser aiming device enhances one's ability to shoot accurately. SureFire offers several WeaponLight models that feature white light illumination plus state-of-the-art red, green or infrared laser aimers.

Whatever your lighting needs, you can count on SureFire to deliver dependable, reliable, high-performance illumination tools that have earned the trust of military and law enforcement agencies worldwide.

Switch Selection: While run-of-the-mill flashlights feature fairly standard on/off switching, high-stress situations present a different challenge where operating your tactical flashlight or WeaponLight needs to be second nature. Ergonomic, intuitive fail-safe switches are critical in achieving this. All SureFire tactical illumination tools and WeaponLights feature switching optimized for easy activation when you need it most. We invented the tactical tailcap that redefined how professional-grade switching should function, and every SureFire light features dependable switching designed to meet specific performance and durability standards.

When choosing a light, you should first decide if the tool will be used as a task light or a tactical light, and you should know the difference. For a task use, a dual-output light with switching that activates the lowest output setting first is perfectly acceptable, but for tactical use, it is always best to use a light that gives you full output upon initial activation, which can be critical in life-or-death situations. SureFire manufactures tactical products that feature multi-level output, but these still activate the highest output first.

Range: For close-range applications, a wider, flood-style beam pattern, such as those found in our MaxVision Beam® models, is ideal for indoor or close-range applications. This type of beam maximizes peripheral vision and situational awareness, minimizing hotspots and beam reflection from light-colored walls and polished surfaces while still providing illumination capable of disorienting an opponent. A tightly focused, high-output (i.e., "spot") beam, such as those found in our TIR and parabolic reflector models, extends the beam's effective reach, optimizing target identification capability and the light's disorienting/dominating effects at longer ranges.

Every SureFire illumination tool, whether task-oriented or tactical, features a flawlessly smooth beam optimized for a particular application – close range, long distance, or somewhere in-between.

LUMENS VS. CANDELA

Both measurements are needed to specify a light's optical performance. Lumens specifies the total amount of light that is emitted by the light, and candela, as measured in lumens per steradian, specifies the intensity of the light being emitted in any particular direction. The candela value will generally be highest at the center of the beam.



WEAPONLIGHTS

WHAT WE PUT INTO THEM HERE MATTERS OUT THERE

Battle-tested and combat-proven, SureFire WeaponLights are engineered to answer the call of duty for everyone from warriors on the battlefield to law enforcement officers in dimly lit back alleys, to citizens defending their lives. Whenever and wherever they are needed, our WeaponLights are the right tools for the mission at hand. We created the market 40 years ago by addressing a critical need for military and law enforcement to have the best tactical tools to identify, engage and overwhelm any aggressor, and today we continue to advance the state of the art that all others merely imitate.

SureFire WeaponLights incorporate only the finest LEDs available, and we continue to push for brighter, more efficient diodes, effectively driving the market forward. Our Total Internal Reflection lenses and proprietary MaxVision Beam® and IntelliBeam® technologies are light years ahead of the competition. Our tough, Mil-Spec hard-anodized aluminum bodies withstand severe punishment from extreme use in the harshest imaginable conditions.

Every SureFire WeaponLight delivers the utmost in performance, durability and versatility, and they are backed by our No-Hassle Guarantee. You can trust your life to a SureFire WeaponLight.

LASER TECHNOLOGY

WE'VE ALWAYS BEEN DRIVEN TO INNOVATE, NOT IMITATE.



In 1979, long before we were known as SureFire, we introduced the first commercially available weapon-mounted laser, the LPC Model 7. Although crude by today's standards, its revolutionary performance was a resounding validation of Dr. John Matthews' theory that weapon-mounted lasers could save lives. Within five years, SureFire was manufacturing a variety of groundbreaking laser products used by everyone from SWAT teams to elite special forces units, and we've continued to be the industry's guiding light in the field ever since.

Today, SureFire laser-equipped WeaponLights are still the gold standard by which all others are judged. Each and every model is engineered to help users achieve rapid, accurate

target acquisition from any shooting position. That's why every one of our lasers is subjected to extensive testing and fitted with either Nylok® screws or friction screws and O-rings to eliminate drift. SureFire offers laser solutions ranging from the eye-safe, Class I laser equipped weaponlights to the high-intensity, long-range Class IIIb laser weaponlights. All SureFire lasers are wavelength specific for optimal luminous efficiency and response by the human eye, and all of our single-beam lasers are meticulously focused to strict divergence standards so they stay focused farther downrange than any of our competitors.

When it comes to laser technology, SureFire continues to dominate in the field we invented.

"SUREFIRE CONTINUES TO DOMINATE THE FIELD WE INVENTED"



XH55G



XH55R



X400VH-B-IRC



X400UH-A-GN



X400UH-A-RD



X400V-IRC



X400U-A-GN



X400U-A-RD



XC2-A



XR2-A-RD



XR2-A-GN



XC2-A-IRC

XVL2 NEW

PISTOL & CARBINE LIGHT + LASER MODULE SYSTEM



FORCE MULTIPLIER²

The revolutionary new SureFire XVL2 WeaponLight was developed at the request of special operations customers and is the result of years of R&D. Compact, lightweight, and optimized for use with handguns and SBRs, the XVL2 features a 400-lumen white light LED, a 300mW infrared illuminator, and both infrared and green aiming lasers co-aligned and slaved together for ease of zeroing in one simple step.

Available in a civilian-legal Class I version as well as a full-power, restricted Class IIIb model for Military and Law Enforcement, it utilizes the same proven switching as our X300 series of lights, and can be ambidextrously activated in both momentary and constant-on modes. A mode selector dial allows the selection of illumination and/or aiming lasers, as well as a low-power training setting on the full-power, restricted MIL/LE version. All this capability is powered by a single 123A battery that can be changed from the front, eliminating the need to remove or re-zero the device.

400 LUMENS 8.2 K CANDELA 300 MILLIWATTS 1.5 HOURS

MVB VIS IR

FEATURES

- + Virtually indestructible white-light and infrared LEDs regulated to maximize output and runtime
- + Integral ambidextrous momentary- and constant-on switching
- + Attaches securely to both Universal and Picatinny accessory rails
- + Accepts optional pressure-activated remote switches for precision control without altering grip on weapon
- + Weatherproof O-ring and gasket sealing
- + Requires one 123A which can be changed without removing the XVL2 from the pistol; no re-zero required
- + Training Mode: GN Laser: <5 mW [520 nm] IR: <.7mW [850 nm]
- + Tactical Mode: GN Laser: 47 mW (+/- 10%) IR: 3mW (+/- 10%)

DANGER

VISIBLE AND/OR INVISIBLE LASER RADIATION - AVOID DIRECT EXPOSURE TO BEAM

IR: 850 nm CW <3 mW (+/-10%)
GN: 520 nm CW <47 mW (+/-10%)
CLASS IIIb LASER PRODUCT

DO NOT VIEW THE LASER BEAM WITH OPTICAL INSTRUMENTS (SCOPES, BINOCULARS, ETC.). DO NOT ATTEMPT TO OPEN OR MODIFY LASER HOUSING.

WARRIOR'S
PERSPECTIVE



US ARMY:
6 years

KENT, WASHINGTON,
POLICE OFFICER:
25 years

OWNER, TAP-RACK
TACTICAL, LLC:
tap-rack.com



BILL BLOWERS

I was a cop for over 25 years, and a SWAT guy for over 22 of that time.

Years ago, when we switched from MP5s to Colt Commandos, we saw an immediate increase in decibels, so we started looking for a solution

to that, and the solution we came up with was SureFire suppressors on the short guns.

We purchased SureFire suppressors over 10 years ago, and put them in service for both missions and training. Based on our shooting cycle, I know those cans have over 100,000 rounds through them, and they're still in service today.

One of the interesting things is that other agencies from around our region purchased suppressors from other manufacturers, and those cans simply have not withstood the test of time. One of the agencies purchased suppressors from another manufacturer about three years ago, and they pulled them this year and are purchasing SureFire suppressors. I can't say enough about how impressed I am with SureFire products and their quality and durability.

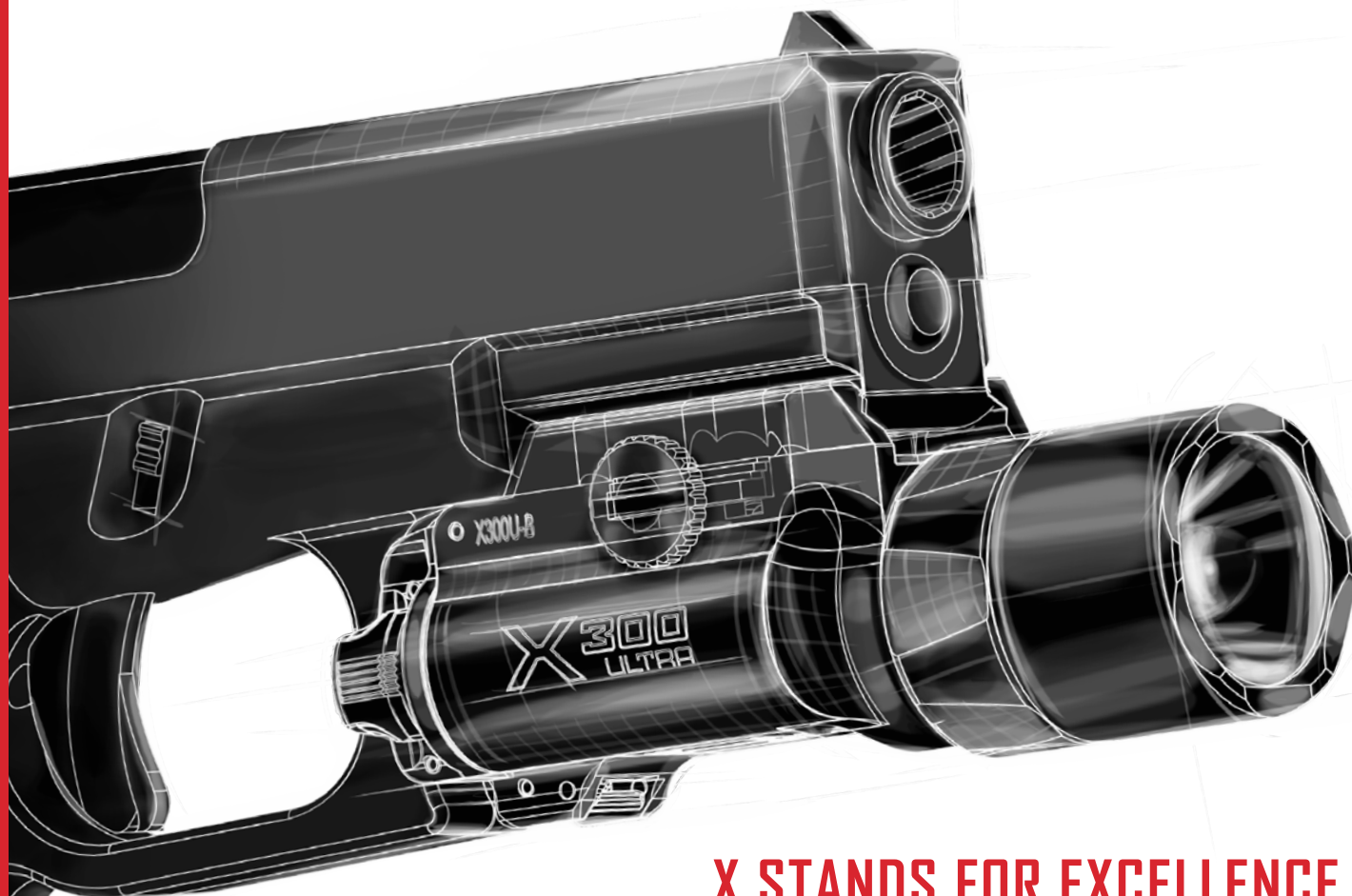
All cops need to have a suppressor on their gun. When you consider the amount of time that SureFire suppressors last, the quality that you get out of them and SureFire's commitment to customer service, it's really an easy sell.

I trust and use SureFire suppressors.

"WE STARTED LOOKING FOR A SOLUTION TO THAT, AND THE SOLUTION WE CAME UP WITH WAS SUREFIRE."

FIELD NOTES ▶ WATCH FULL EPISODE ONLINE
WWW.YOUTUBE.COM/USER/SUREFIREBEAM

X-SERIES HANDGUN LIGHTS



X STANDS FOR EXCELLENCE

Our 40 years as the vanguard of tactical illumination and laser aiming technology make SureFire X-Series WeaponLights the most capable WeaponLights available.

Recoil-proof, high-intensity LEDs focused by proprietary Total Internal Reflection (TIR) lenses provide optimal reach and spill light. Rugged, Mil-Spec hard-anodized aerospace aluminum bodies, O-ring and gasket-sealed to keep out moisture and dirt, ensure maximum durability and reliability under extreme conditions. A lever latch system or slotted thumbscrew clamp attaches securely to most Universal or Picatinny rails.

And when every action matters, you can count on SureFire's intuitive, proprietary toggle switches, which facilitate ambidextrous, momentary- or constant-on activation with one finger. We also offer an optional DG handgun front-strap pressure switch, as well as optional momentary- and/or constant-on switching for use with long guns.



NSN-6230-01-617-8332

X300U ULTRA-HIGH-OUTPUT LED HANDGUN LIGHT

1000 LUMENS 11K CANDELA 1.25h RUNTIME TIR IPX7 1m

X300U-A
X300U-A-TN
X300U-B
X300U-B-TN

- + Integral ambidextrous momentary- and constant-on switching
- + Recoil-proof LED generates blinding 1,000 lumens of white light
- + Choose between lever lock (X300U-A) or thumbscrew (X300U-B) mounting options



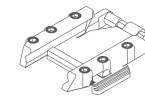
X300V INFRARED / WHITE LED HANDGUN LIGHT

350 LUMENS 120mW INFRARED 13K CANDELA 2.5h RUNTIME TIR IR VIS IPX7 1m

X300V
X300V-B

- + Integral ambidextrous momentary- and constant-on switching
- + Upgraded two-position V-Series head provides instantaneous switching between white or 120mW infrared illumination with no filter required
- + Choose between lever lock (X300V) or thumbscrew (X300V-B) mounting options

X-SERIES WEAPONLIGHT MOUNTS



A-MOUNTS can attach securely to Universal and Picatinny rails with their Lever Latch or Rail-Lock® system



B-MOUNTS can attach securely to Universal and Picatinny rails with their slotted thumbscrew clamp



DANGER

LASER RADIATION - AVOID EYE EXPOSURE
RD: 635nm at <5mW
OR: 635nm at <5mW
CLASS II LASER PRODUCT
DO NOT VIEW LASER BEAM WITH OPTICAL INSTRUMENTS (SCOPE, BINOCULARS, ETC.)
DO NOT ATTEMPT TO OPEN OR MODIFY LASER HOUSING.

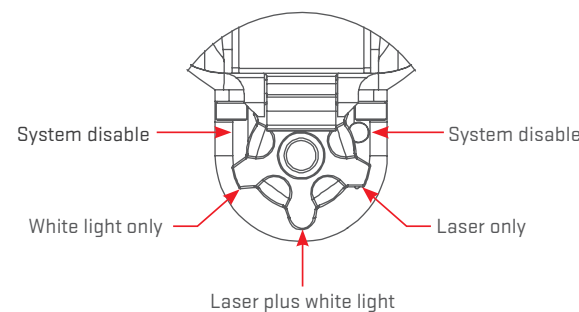
X400U ULTRA-HIGH-OUTPUT LED HANDGUN LIGHT + RED OR GREEN LASER

1000 LUMENS 11K CANDELA 1.25h RUNTIME TIR IPX4

X400U-A-RD
X400U-A-GN

- + Recoil-proof LED generates blinding 1,000 lumens of white light
- + Laser alignment uses adjustable NYLOK® screws that won't loosen
- + Integral ambidextrous momentary- and constant-on switching
- + Available in **RED LASER**: <5 mW output 635nm Class IIIa
- + Available in **GREEN LASER**: <5 mW output 515nm Class IIIa

X400 SELECTOR SWITCH



CAUTION

INVISIBLE LASER RADIATION - AVOID EYE EXPOSURE
DO NOT VIEW LASER BEAM OR VIEW WITH OPTICAL INSTRUMENTS (SCOPE, BINOCULARS, ETC.)
DO NOT ATTEMPT TO OPEN OR MODIFY LASER HOUSING.

X400V INFRARED/WHITE LED HANDGUN LIGHT + INFRARED LASER

350 LUMENS 120mW INFRARED 13K CANDELA 2.5h RUNTIME TIR IR VIS

X400V-B-IRC

- + IPX4 water resistance
- + Upgraded two-position V-Series head provides instantaneous switching between white or 120mW infrared illumination with no filter required
- + Integral ambidextrous momentary- and constant-on switching
- + Class-I <0.7 mW infrared laser is ideal for using NVGs

X-SERIES DG GRIP SWITCH

SureFire DG grip switches replace the standard rear switch on X-Series WeaponLights for intuitive activation without altering your grip on the weapon.

See which DG switch fits your weapon: www.surefire.com/dgswitches



» See Specification Section for further details on products «

MASTERFIRE® SERIES HOLSTER

ENGINEERED FOR CONFLICT

When we decided to build the definitive open-carry holster, we started with a clean sheet of paper. The revolutionary SureFire MasterFire® Rapid Deploy Holster is unlike any other holster in the world, and was designed to be the best option for military and law enforcement personnel who want the ultimate in utility.

It starts with versatility. The MasterFire accepts a wide variety of Picatinny rail-equipped pistols. Whether your duty weapon is a trusty 1911 or the latest polymer wonder, the MasterFire can easily accommodate it – even when equipped with a red-dot optic and SureFire suppressor. The holster can also be set to automatically activate any of our MasterFire Series WeaponLights when the weapon is deployed.

Next there's security. The MasterFire is the first and only mechanically pin-locked holster. Its primary and secondary lock systems combine to offer Level 3 security. Even the strongest adversary is unlikely to defeat the MasterFire's 600-lb. retention rating. But in high-stress situations, when fractions of a second can mean the difference between life and death, the MasterFire's ergonomic design facilitates consistent sub-one-second presentations.

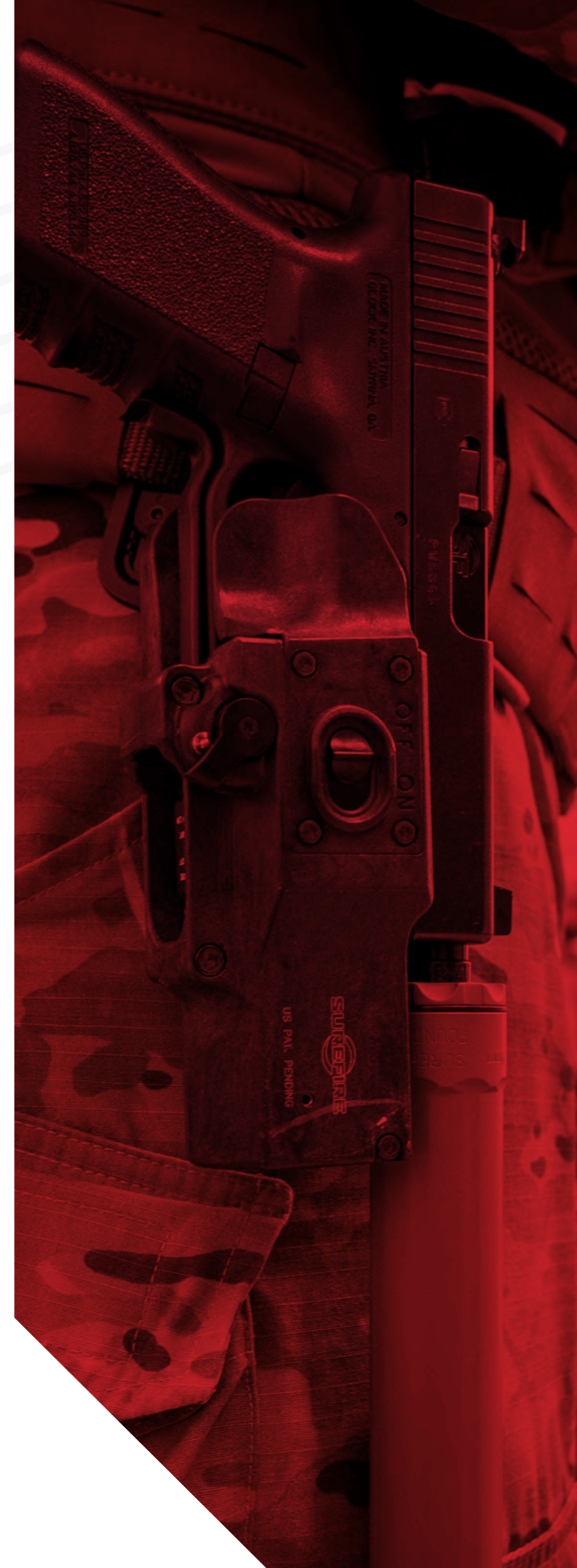
When your life is on the line, the SureFire MasterFire Rapid Deploy Holster is a trusted friend.



THE BEST OPTION FOR THOSE WHO WANT THE ULTIMATE IN UTILITY AND FLEXIBILITY

FEATURES

- + Auto-activation switch can be set to turn WeaponLight on when pistol is drawn
- + Positions holster at optimized angle for a fast, consistent draw stroke
- + Provides Level 3 retention, securing firearm with primary and secondary locking systems
- + Cam-slotted bezel and rear locking lugs on battery housing interface with MasterFire® holster for secure weapon retention
- + Open design accommodates red-dot optics and suppressors, including the SF® RYDER Series
- + Customizable for personal preferences and adjustable to fit most any pistol belt
- + Interfaces with Safariland QLS system



MASTERFIRE® SERIES HANDGUN LIGHTS



THE MASTERFIRE DIFFERENCE

They may not look much different than our X-Series WeaponLights, but SureFire MasterFire® WeaponLights include something extra: They seamlessly interface with the revolutionary MasterFire® Rapid Deploy Holster. Of course, they use the same recoil-proof LEDs and purpose-driven optics as their X-Series siblings, providing optimal reach and situational awareness. Precision-machined in our Southern California facility from aerospace aluminum, then hard anodized for maximum durability, all MasterFire® WeaponLights offer users the same interface with the Masterfire holster.



XH15
POLYMER LED HANDGUN HOLSTER LIGHT

350 LUMENS 1K CANDELA 1.25h RUNTIME MVB

- + The value-driven, fight-capable WeaponLight
- + Integral ambidextrous momentary- and constant-on switching
- + Polymer body is lightweight yet built to take punishment



XH30
ULTRA-HIGH DUAL-OUTPUT HANDGUN HOLSTER LIGHT

1000 LUMENS 11K CANDELA 2.5h RUNTIME (LOW-OUTPUT) TIR

- + Choose between 1,000 or 300 lumens of high-intensity, focused light
- + Integral ambidextrous momentary- and constant-on switching
- + Quickly switch between white light or strobe; strobe function can be disabled



XH35
ULTRA-HIGH DUAL-OUTPUT HANDGUN HOLSTER LIGHT

1000 LUMENS 3K CANDELA 2.5h RUNTIME (LOW-OUTPUT) MVB

- + Dual output: Delivers 1,000 or 300 lumens of smooth, rounded MaxVision Beam light
- + Integral ambidextrous momentary- and constant-on switching
- + Ability to switch between white light or strobe; strobe function can be disabled



XH55 NEW
ULTRA-HIGH-OUTPUT HANDGUN HOLSTER LIGHT + GREEN/RED LASER

1000 LUMENS 3K CANDELA 1.25h RUNTIME MVB

- + Choose between 1,000 or 300 lumens of high-intensity, smooth, rounded MaxVision Beam light
- + Integral ambidextrous momentary- and constant-on switching
- + Available in **RED LASER**: <5 mW output 635nm Class IIIa
- + Available in **GREEN LASER**: <5 mW output 515nm Class IIIa



X400UH
ULTRA-HIGH-OUTPUT HANDGUN HOLSTER LIGHT + GREEN/RED LASER

1000 LUMENS 11K CANDELA 1.25h RUNTIME TIR

- + IPX4 water resistance
- + Multiple settings: system disable, white light only, laser + white light, laser only
- + Available in **RED LASER**: <5 mW output 635nm Class IIIa
- + Available in **GREEN LASER**: <5 mW output 515nm Class IIIa



X400VH
INFRARED / WHITE HANDGUN HOLSTER LIGHT + INFRARED LASER

350 LUMENS 120mW INFRARED 13K CANDELA 2.5h RUNTIME TIR

- + IPX4 water resistance
- + Selectable V-Series head provides white and infrared illumination with no filter required.
- + Class I <0.7 mW infrared laser is ideal for using NVGs

**WARRIOR'S
PERSPECTIVE**



US NAVY:
20 years

SEAL TEAM 3:
4 years

**NAVAL SPECIAL WARFARE
DEVELOPMENT
GROUP:**
14 years

**OWNER,
AMERICAN TACTICAL
SHOOTING INSTRUCTION, LLC:**
amtacshooting.com
amtacblades.com



BILL RAPIERE

I spent 20 years in the U.S. Navy – 18 of them were in the SEAL teams with the last 14 as a member of Naval Special Warfare Development Group. During my time in the Teams I did everything from Corpsman to machine gunner to assaulter, breacher, sniper, team leader and troop chief.

One of the common things from the beginning to the end of my service was using SureFire lights. In my early years in, I remember using hose clamps and wooden spacers to attach them to the barrels of our M4s. By the time I left the service I think I averaged three to four SureFire lights on me every time we went out the door (handheld in pocket, weapon-mounted on rifle, weapon-mounted on pistol and helmet-mounted). I relied on SureFire products for most of my active duty career because they work. I have been a civilian for around four years now, and sitting here writing this in my living room, surrounded by my children, I have a handheld SureFire in my pocket and an XC1-B attached to my pistol.

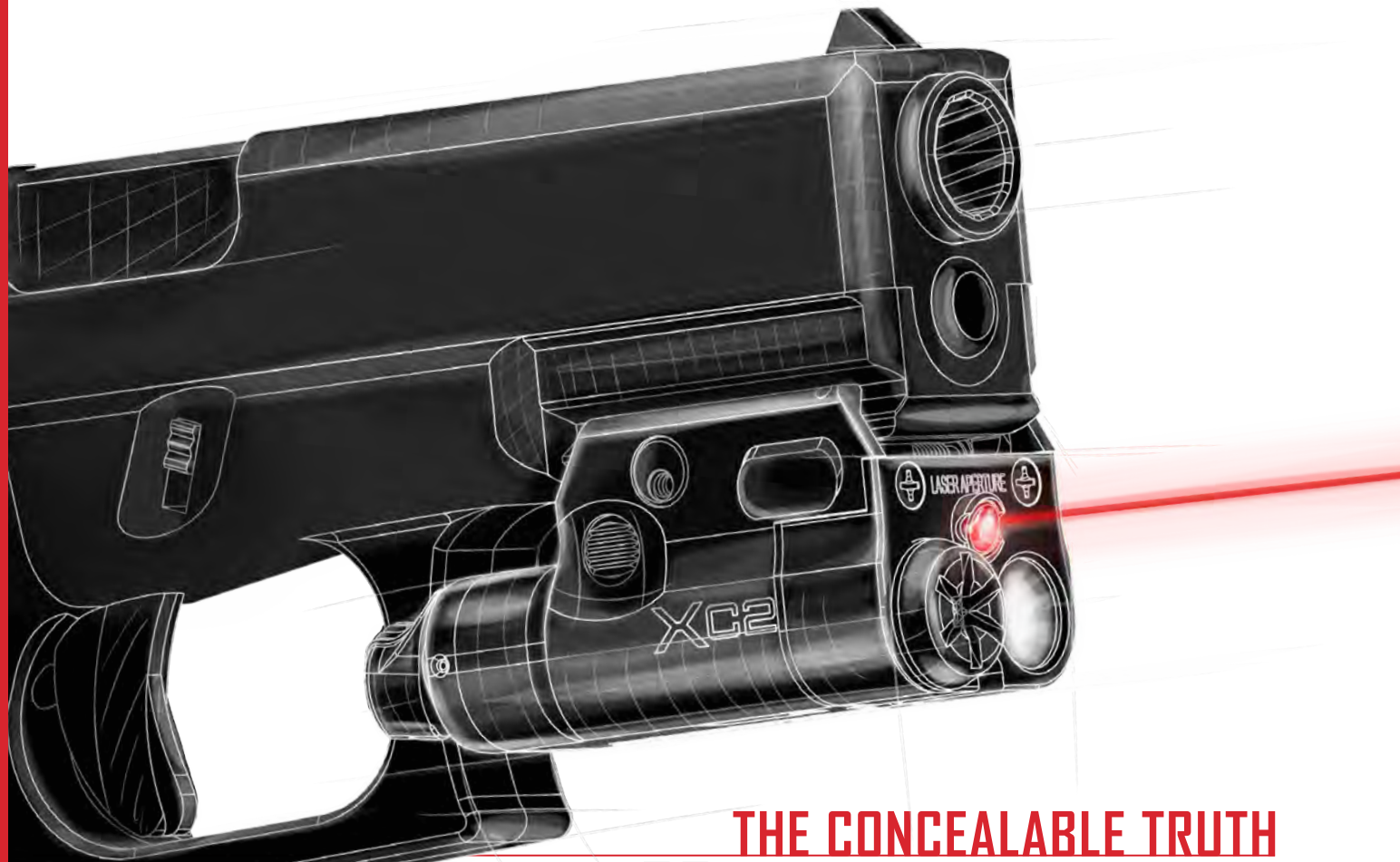
Every day I'm with my family, I am part of the most important protective detail of my life. Why would I trust my life and theirs to anything but the best tools available?

**» "WHY WOULD I TRUST
MY LIFE AND THEIRS TO
ANYTHING BUT THE BEST
TOOLS AVAILABLE?"**



FIELD **» WATCH FULL EPISODE ONLINE**
NOTES WWW.YOUTUBE.COM/USER/SUREFIREBEAM

COMPACT SERIES HANDGUN LIGHTS



THE CONCEALABLE TRUTH

SureFire XC WeaponLights combine high-performance LED and laser capability in an ultra-compact design that delivers the ultimate in concealability.

No matter the size of a SureFire WeaponLight, we include the right features for the utmost in utility. We don't compromise, and if you carry a concealed handgun, neither should you.

The new, rechargeable SureFire XR1-A and XR2 take our concealed-carry WeaponLight performance to even greater heights, with 600 lumens of LED white light to illuminate a target. The XR2 adds a laser sight for rapid target acquisition. Whether you select the green or red laser-equipped XR2, you have the option of switching among white light only, laser only or simultaneous light plus laser. The new XC2-A-IRC features an infrared LED plus an infrared laser for NVG use. You can count on the XC1 to deliver 300 lumens of LED white light, or choose the XC2 for the same brilliant light plus a red laser.

Every SureFire ultra-compact model features ergonomic switching that facilitates ambidextrous momentary-on or constant-on activation. Mil-Spec hard-anodized aluminum bodies make these WeaponLights as durable as any other model we make.

And that's the truth, the whole truth, and nothing but the truth.



XC1®
ULTRA-COMPACT HANDGUN LIGHT

300 820 45m
LUMENS CANDELA RUNTIME



XC1-B

- + Lightweight and ultra-compact; ideal for concealed-carry use
- + Upgraded paddle switches deliver split-second momentary- or constant-on for light on demand



XC2®
ULTRA-COMPACT LED HANDGUN LIGHT & LASER SIGHT

300 820 30m
LUMENS CANDELA RUNTIME



XC2-A

- + Maximum capability with minimum size in a lightweight package; ideal for concealed-carry use
- + Upgraded paddle switches deliver split-second momentary- or constant-on for light on demand
- + Available in **RED LASER**: <5 mW output 635nm Class IIIa



XR1-A NEW
ULTRA-COMPACT HANDGUN LIGHT

600 1.6K 30M
LUMENS CANDELA RUNTIME



XR1-A

- + The charge-and-go ultra-compact WeaponLight
- + Magnetic charging port offers convenient and reliable charging without removing light from handgun



XR2 NEW
ULTRA-COMPACT RECHARGEABLE LED HANDGUN LIGHT + LASER SIGHT

600 1.6K 30M
LUMENS CANDELA RUNTIME



XR2-A-GN
XR2-A-RD

- + Magnetic charging port offers convenient and reliable charging without removing light from handgun
- + Available in two models: green laser or red laser; choose between white light only, laser only or white light + laser
- + **RED LASER**: <5 mW output 635nm Class IIIa
- + **GREEN LASER**: <5 mW output 515nm Class IIIa



XC2-A-IRC NEW
ULTRA-COMPACT HANDGUN INFRARED LED + INFRARED LASER

50mW 4h
INFRARED RUNTIME



XC2-A-IRC
XC2-A-IRC-TN

- + Class I <0.7 mW infrared laser is ideal for using NVGs
- + IR illumination and IR laser Class I
- + Selectable output: IR illumination + IR laser or IR laser only



» See Specification Section for further details on products «

WARRIOR'S PERSPECTIVE



ORANGE COUNTY
SHERIFF'S DEPT (OCSD) SWAT:

7 years

SWAT Operator

Sniper

Joint Hazardous
Assessment Team
(JHAT)

Maritime Operator

Rappel Master

Aerial Platform
Shooting (APS)

Firearms & Tactics
Instructor

» "IN SWAT WE DEPEND ON OUR EQUIPMENT
WITH OUR LIVES. THAT'S WHY WE TRUST
SUREFIRE EXCLUSIVELY FOR OUR LIGHTS
AND SUPPRESSORS."

GABE RIVERA

I've heard some chatter about too many lumens being a bad thing indoors due to the possibility of blinding yourself, but I think that's BS – because a competent user should be in control of where they point their light. I want more lumens, as much as possible. Even in a well-lit room, if you're shining a 1,500-lumen light in someone's eyes as you're making entry, you're having a negative effect on that person's vision and capacity for reaction.

We were issued SureFire products when I made the team, and I have stuck with SureFire products ever since. We use the Scout Light DFs on our rifles and the X300s on our pistols. I have a Vampire Series Light on my helmet and I carry a Vampire handheld as well, so if we run night ops and I'm under NODs, I can switch to IR light and see what's going on without giving away my position.

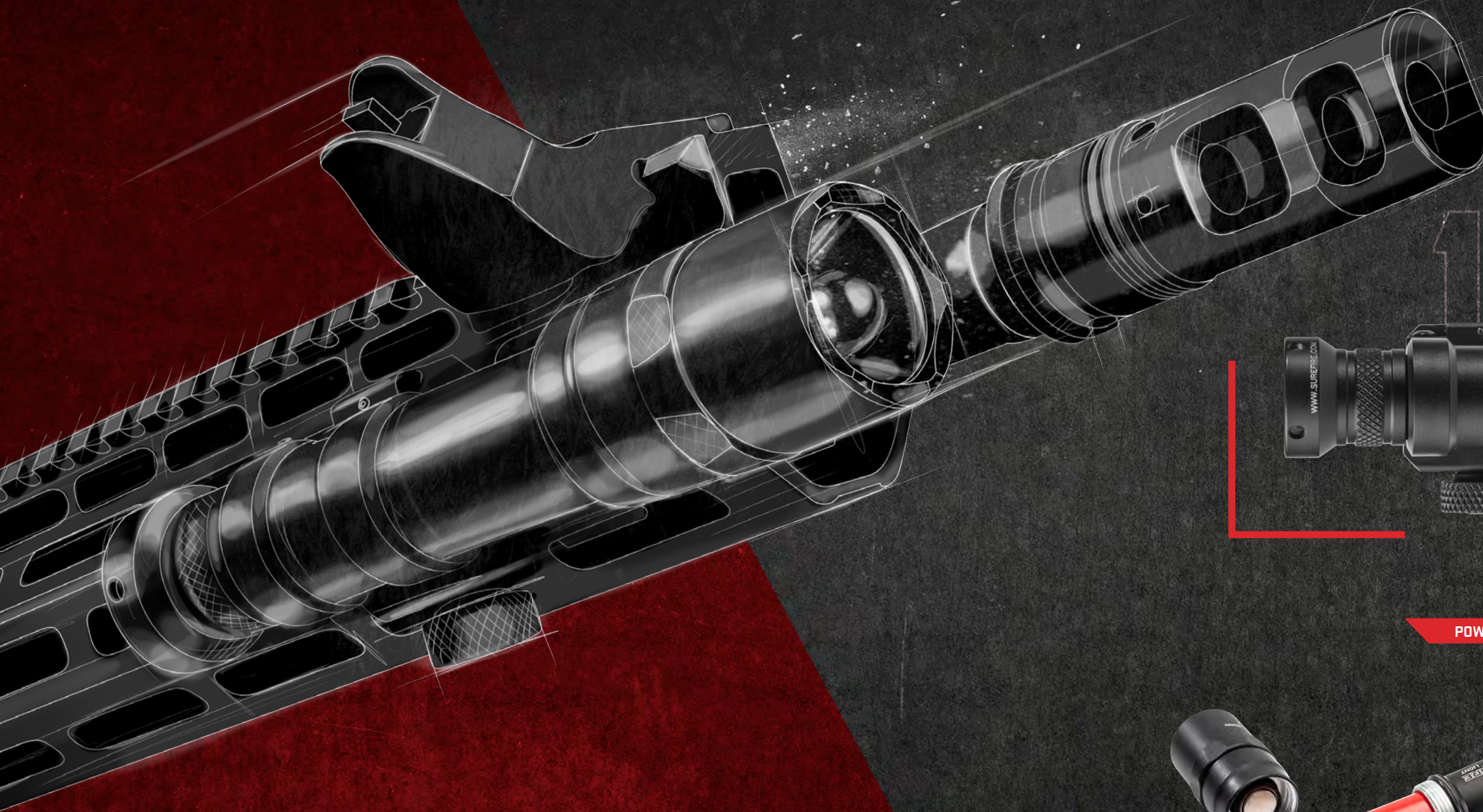
Our entire team uses SureFire suppressors. We've tested others, but we know that SureFire products are tried and true. Our snipers tested them for impact shift and it ranged from negligible to not at all. I constantly take mine off and on, and I have had no issues with impact shift.

Individual team members have tried other lighting products that they personally purchased, but they never lasted. We would be at training and those lights, one way or another, would eventually fail. We've never had any issues with our SureFire products, they just work, 100 percent.



M600DF

DUAL FUEL LED SCOUT LIGHT




POWERED BY ONE 18650 OR TWO 123A BATTERIES



TWO-IN-ONE TACTICAL TOOL

SureFire's Dual Fuel technology gives M600DF users the option of using one rechargeable 18650 battery for up to 1,500 lumens of maximum output, or two 123A batteries for 1,200 lumens of output. With either power source, a TIR lens smoothly shapes the beam for medium- to long-range illumination while providing ample surround light for peripheral vision. The M600DF comes standard with a Z68 primary/constant-on switch, thumbscrew mount and Mil-Spec hard-anodized body.

1500 LUMENS 16K CANDELA 1.5 HOURS TIR 

M300C SERIES

COMPACT WHITE LIGHT LED SCOUT LIGHTS

M300C-Z68-BK
M300C-Z68-TN

Powered by a single 123A lithium-ion battery, the M300C Scout Light's top-grade LED delivers 500 lumens of TIR lens-focused light to produce a tactical-level beam that is ideal for close- to mid-range use. Its sturdy thumbscrew clamp securely mounts to Picatinny rails. Like all our Scout Light models, the M300C's lightweight aerospace aluminum body is Mil-Spec hard anodized and O-ring sealed to withstand the rigors of combat without weighing down your weapon.



FEATURES



M600U SERIES

WHITE LIGHT LED SCOUT LIGHTS

M600U-Z68-BK
M600U-Z68-TN

The M600 Ultra Scout Light's TIR lens-focused, 1,000-lumen-output is more than enough to temporarily overwhelm the night-adapted vision of an aggressor. The M600U comes with a pushbutton tailcap switch; press for momentary-on, press further to click constant-on.



FEATURES



M300C & M600U models come standard with click-on/off tailcap switch; momentary-on tape switches also available (sold separately).





M300V SERIES

COMPACT INFRARED / WHITE LED SCOUT LIGHTS

M300V-B-Z68-BK
M300V-B-Z68-TN

The tough, ultra-compact M300V Scout Light delivers two different light spectrums. Simply rotate its bezel to go from 250 lumens of LED white light to 100 milliwatts of infrared light for use with night vision devices. A single 123A lithium-ion battery powers the M300V for up to 6 hours in IR mode at 100mW.



NSN: 6230-01-657-1683

FEATURES



M600V SERIES

INFRARED / WHITE LED SCOUT LIGHTS

M600V-B-Z68-BK
M600V-B-Z68-TN

The M600V allows the user to instantly select 350 lumens of TIR-focused LED white light, 120 milliwatts of infrared light for use with night vision equipment or system disable simply by rotating its V-Series head. Dual 123A battery power delivers up to 16.75 hours of 120mW IR light or 2.5 hours of white light.



NSN: 5855-01-660-5088



Twist to select infrared, off, or white light

FEATURES



M600IB

AUTO-ADJUSTING VARIABLE-OUTPUT LED SCOUT LIGHT

M600IB-Z68-BK

The M600IB is the smartest model in the Scout Light family. SureFire's proprietary IntelliBeam® technology automatically adjusts the LED output between a minimum of 100 lumens and a maximum of 600 lumens, depending on the distance to target. Whatever the light output, a textured parabolic reflector precisely projects a smooth, focused beam with a bright center and plenty of surround light. The M600IB's tailcap switch provides momentary- or constant-on activation, and SureFire's proprietary lockout feature prevents unintentional activation. Built to survive the rigors of combat, the M600IB's Mil-Spec hard-anodized aluminum body, tempered window and O-ring seals make it virtually indestructible.



INTELLIBEAM TECHNOLOGY

SureFire's IntelliBeam system works faster than the human eye. Wherever the light is aimed, the IntelliBeam's high-speed microprocessor instantly and automatically adjusts its output to provide optimal illumination for maximum visual acuity.



"MY M600IB ADJUSTS TO MY ENVIRONMENT
SO I CAN FOCUS ON THE FIGHT."

FEATURES



WARRIOR'S
PERSPECTIVE



LOS ANGELES POLICE
DEPARTMENT (LAPD):
30 years (retired)

LAPD METRO:
Firearms & Tactics
Instructor

SWAT:
Former member

FEDERAL &
SUPERIOR COURT:
Qualified expert in deadly force,
training, safety & police tactics

LEAD FIREARMS TACTICS &
TRAINING INSTRUCTOR

INTERNATIONAL TACTICAL
TRAINING SEMINARS:
internationaltactical.com

**"WITHOUT HESITATION, I TRUST MY LIFE
AND SAFETY TO SUREFIRE LIGHTS"**



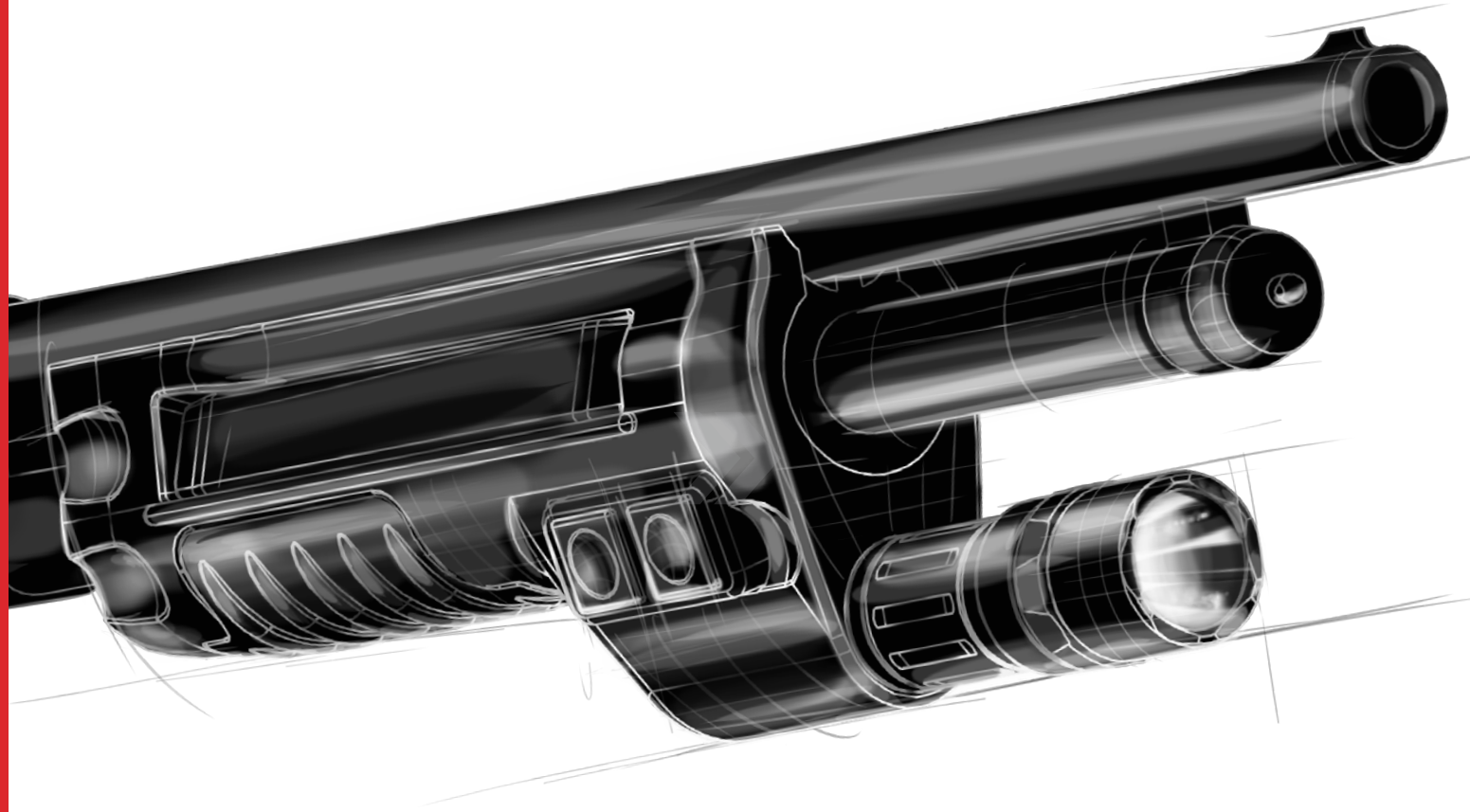
SCOTT REITZ

It is absolutely essential that any light, when called upon, will function reliably and perform flawlessly when one's life and safety, and that of others, is at stake. In my experience, SureFire's products accomplish this task without reservation. I have utilized lights in documented shootings when working LAPD SWAT. Additionally, for the past 28 years, I have worked on shooting cases in both Federal and Superior Court, in the defense of those who have been thrust into deadly force scenarios. Many of these cases involve the utilization of lights. High-quality light products in conjunction with appropriate tactics, most often equate to a successful resolution. I still possess lights from SureFire when they were known as Laser Products in the 1980s, which function perfectly to this very day. SureFire lights are hardened, rugged and they are always at the forefront of light technology. Without hesitation, I trust my life and safety to SureFire lights.

FIELD
NOTES

▶ WATCH FULL EPISODE ONLINE
WWW.YOUTUBE.COM/USER/SUREFIREBEAM

FOREND WEAPONLIGHTS



UPGRADE YOUR FURNITURE

SureFire Forend WeaponLights are designed and engineered to keep users on target and in the fight regardless of lighting conditions. They integrate our combat-proven WeaponLight technology into durable yet lightweight polymer forends that directly replace the factory forends on select weapon types. With proprietary parabolic reflectors or TIR lenses, these lights offer up to 1,000 lumens of intense LED white light, depending on model. Dependable built-in switching provides ergonomic and ambidextrous light activation, and you can choose either momentary- or constant-on operation as necessary for a given tactical situation.

“ONE OF THE MOST IMPORTANT UPGRADES YOU CAN MAKE TO A SHOTGUN FOR LAW ENFORCEMENT OR HOME-DEFENSE USE”



618LMG

ULTRA-HIGH-OUTPUT FOREND WEAPONLIGHT FOR REMINGTON 870

1000 LUMENS | 11.3K CANDELA | 1.25h RUNTIME | TIR | 618LMG-B

- + Integrated, 1,000-lumen LED head and integral ergonomic switching for Remington 870; trusted by Law Enforcement Agencies worldwide
- + Delivers a far-reaching beam that is also well-suited for close- to medium-range engagements



623LMG

ULTRA-HIGH-OUTPUT FOREND WEAPONLIGHT FOR MOSSBERG 500/590

1000 LUMENS | 11.3K CANDELA | 1.25h RUNTIME | TIR | 623LMG-B

- + Integrated, 1,000-lumen LED head and integral ergonomic switching for Mossberg 500/590
- + Light output that's well-suited for close-, medium- and long-range engagement



DSF-870

ULTRA-HIGH DUAL-OUTPUT LED WEAPONLIGHT FOR REMINGTON 870

600 LUMENS | 13K CANDELA | 3h RUNTIME (LOW-OUTPUT) | REF | IPX7 | 1m | DSF-870

- + Designed for direct replacement of factory Remington 870 forends
- + Two levels of tactical illumination; choose between a 600-lumen high output and a 200-lumen low output



DSF-500/590

ULTRA-HIGH DUAL-OUTPUT LED WEAPONLIGHT FOR MOSSBERG 500/590

600 LUMENS | 13K CANDELA | 3h RUNTIME (LOW-OUTPUT) | REF | IPX7 | 1m | DSF-500/590

- + Designed for direct replacement of factory Mossberg 500/590 forends
- + Two levels of tactical illumination; choose between a 600-lumen high output and a 200-lumen low output



328LMF-B

COMPACT LED WEAPONLIGHT FOR HK MP5, HK53 & HK94

500 LUMENS | 7.6K CANDELA | 1h RUNTIME | TIR | 328LMF-B

- + Replaces HGK MP5, HK53 and HK94 forends
- + 500 lumens of TIR-focused LED light from a single 123A battery



628LMF-B

HIGH-OUTPUT LED WEAPONLIGHT FOR HK MP5, HK53 & HK94

1000 LUMENS | 11.3K CANDELA | 1.25h RUNTIME | TIR | 628LMF-B

- + Replaces HGK MP5, HK53 and HK94 forends
- + Dual cell; 1,000 lumens of TIR-focused LED light, longer runtime



HELLFIGHTER® 4

HF4A KIT02:
NSN 6230-01-614-1752

ULTRA-HIGH / DUAL-OUTPUT WEAPONLIGHT / SEARCHLIGHT

HF4A
HF4A KIT01

Designed for crew-served weapons such as the M2, M240, Mk19, miniguns or chain guns, the SureFire Hellfighter 4 generates 3,000 lumens of white light from its recoil-resistant HID arc light. It can be powered by a vehicle's 12-volt electrical system, a NATO slave cable or BA5590 military batteries and, whether vehicle-mounted or handheld, it can light up a target over 1,500 meters away.

FEATURES





BUILD YOUR SCOUT LIGHT

New Scout Light® models feature a DS dual switch system and one of three mounting options. Scout Light configurations include a battle-proven M75 thumbscrew mount, the RM45 offset mount, and the American Defense Manufacturing Auto Lock™ Lever for secure attachment to any MIL-STD-1913 rail system. Increase your long gun's effectiveness in close-to longer-range low-light situations without any sacrifice in weapon maneuverability.

SWITCHES

ST07

MOMENTARY-ON REMOTE TAPE SWITCH

- + Provides momentary-on activation only on any SureFire WeaponLight equipped with a switch socket

ST07



SR07-D-IT

MOMENTARY/CONSTANT-ON REMOTE DUAL SWITCH + ATPIAL LASER DEVICE

- + Provides remote momentary activation of a SureFire WeaponLight equipped with a switch socket and either an Insight ATPIAL or DBAL laser device

SR07-D-IT



SR07

MOMENTARY/CONSTANT-ON REMOTE DUAL SWITCH

- + Provides remote momentary-and constant-on activation with any switch-socket-equipped SureFire WeaponLight

SR07



TAILCAPS



Z68

CLICK-STYLE TAILCAP

NSN 5930-01-605-9781

- + Standard click style tailcap for SureFire Scout Light WeaponLights

Z68
Z68-TN



UE

TAPE SWITCH ONLY TAILCAP

- + Tapeswitch receptacle accepts ST, SR and SR07-D-IT switches for remotely activating SureFire Scout Lights

UE-BK
UE-TN



DS00

CLICK-STYLE / TAPE SWITCH TAILCAP

- + DS00 is a waterproof switch assembly for SureFire's Scout Light WeaponLights. Tapeswitch receptacle accepts ST, SR and SR07-D-IT switches for remotely activating SureFire Scout Lights. Includes a redundant click-on/off pushbutton switch and a system lockout to prevent light activation.

DS00
DS00-TN



+ 6 VOLT BODY FEATURED

MOUNTS



M75

THUMBSCREW MOUNT

- + The rugged in-line M75 quickly and securely mounts a M300/M600 Scout Light body to a MIL-STD-1913 Picatinny rail via its integral thumbscrew clamp

M75
M75-TN



RM45

OFF-SET MOUNT

- + The RM45 is a low-profile M300/M600 Scout Light mount that attaches to a MIL-STD-1913 Picatinny rail and positions the light in the offset position

RM45-BK
RM45-TN



M-AD-SF

QD AUTO LOCK™ LEVER MOUNT

- + The American Defense MFG, LLC, AD-SF is an in-line mount, designed for mounting the M300/M600 Scout Light. It features the patented QD Auto Lock™ Lever system to accommodate both in-spec and out-of-spec rail systems

M-AD-SF
M-AD-SF-TN

BEZELS



KE1

3V WHITE LIGHT FITS: 3V BODY ONLY

- + The ultra-compact KE1 Scout Light bezel assembly generates an impressive 500 lumens from one 123A battery when used on an M300 Scout Light

KE1H-BK
KE1H-TN



KE2

6V WHITE LIGHT

- + The ultra-compact KE2 Scout Light bezel assembly generates an impressive 1,000 lumens from two 123A batteries when used on an M600 Ultra Scout Light

KE2-B-BK
KE2-B-TN



KM1

3V INFRARED & WHITE LIGHT FITS: 3V BODY ONLY

- + The KM1 bezel assembly provides both white light and infrared illumination from a single 123A battery when used on an M300 Scout Light. Select the appropriate spectrum for the mission by simply rotating the bezel

KM1-E-BK
KM1-E-TN



KM2

6V INFRARED & WHITE LIGHT

- + The KM2 bezel assembly provides both white light and infrared illumination from two 123A battery when used on an M600 Scout Light. Select the appropriate spectrum for the mission by simply rotating the bezel

KM2-C-BK
KM2-C-TN



KE2-DF

DUAL FUEL LED FITS: 6V DF BODY ONLY

- + High-Performance, ultra-high-output, Dual Fuel LED Scout Light with a special TIR reflector produces a focused 1,500-lumen beam



HANDHELD LIGHTS

IT'S ALL ABOUT WINNING THE FIGHT

In 1986, SureFire redefined the common flashlight so radically that we had to give it a new name, the tactical illumination tool. Back then, the ultra-high-output incandescent bulbs we invented were the best in the industry, but we soon raised the bar even higher by introducing purpose-built tactical handhelds with light emitting diodes (LEDs). Today, virtually every SureFire handheld light uses these durable emitters.

Not all LEDs are created equal. SureFire has always used only the finest LEDs available, and we've constantly pushed to improve their LED capability. We – not the countless knockoffs – have driven the tactical lighting market by using only top-bin LEDs in our products.

Unless otherwise required for specific needs such as IR and white-light capability in one model, SureFire lights utilize a single, top-bin LED, harnessed by sophisticated microprocessors programmed to maximize output and runtime, and boost thermal efficiency. All this complex hardware is housed in rugged, aerospace-grade aluminum or non-conductive, corrosion-proof polymer bodies for the utmost in reliability.

Whether you choose something as large and powerful as the UDR Dominator or as small and simple as a Sidekick, SureFire handheld lights are the best tools for professional or personal use, tactical or outdoor applications, and in every situation from emergency -preparedness to self-defense.



FIELD
NOTES

▶ WATCH FULL EPISODE ONLINE
WWW.YOUTUBE.COM/USER/SUREFIREBEAM

**WARRIOR'S
PERSPECTIVE**



US NAVY SEAL:
Decorated Naval Special
Warfare operator
& instructor

Nationally recognized
weapons & tactics instructor

DIRECTOR OF TRAINING:
The Range at Austin

**PRESIDENT OF TRIDENT
CONCEPTS, LLC:**
tridentconcepts.com



JEFF GONZALES

I first put a SureFire product in my hands around the late 1990s as a BUD/S Instructor during my career in Naval Special Warfare. I can recall a time when I used the classic 6P to thwart the students' stealthy approach through the surf zone. They knew it would be a long, cold night for them, trying to get past this new demon light. I was very fortunate to serve as an instructor and operator on both coasts, and would employ my issued lights operationally around the globe. More than once, they gave me a superior advantage on the battlefield.

When I left the Navy and took my experience to the private sector for Trident Concepts, I began to really appreciate the whole SureFire product line. In the Navy I came to rely upon its steadfast reliability, durability and brightness. The same would hold true, only in this case I had the opportunity to compare SureFire with other products. I was no longer restrained to what the Navy wanted. When it came time to purchase products for my training needs I picked the best products for my needs. In doing so, I became personally aware of SureFire's product superiority by observing their competitors' failures in our classes.

I still value the superior advantage they give me, but I have come to appreciate their utility for everyday needs. SureFire recognizes that a huge segment of America is adopting concealed-carry practices. Their continuous innovation to include this new market has kept them on the cutting edge. They continue to make lights smaller, brighter and tougher, and I continue to use them every day.

**"SO THERE I WAS,
NAKED, WITH JUST
A TOMAHAWK AND
A SUREFIRE LIGHT
IN MY HAND."**

FIELD ▶ **WATCH FULL EPISODE ONLINE**
NOTES WWW.YOUTUBE.COM/USER/SUREFIREBEAM



UDR DOMINATOR®

RECHARGEABLE ULTRA-HIGH VARIABLE-OUTPUT LED FLASHLIGHT

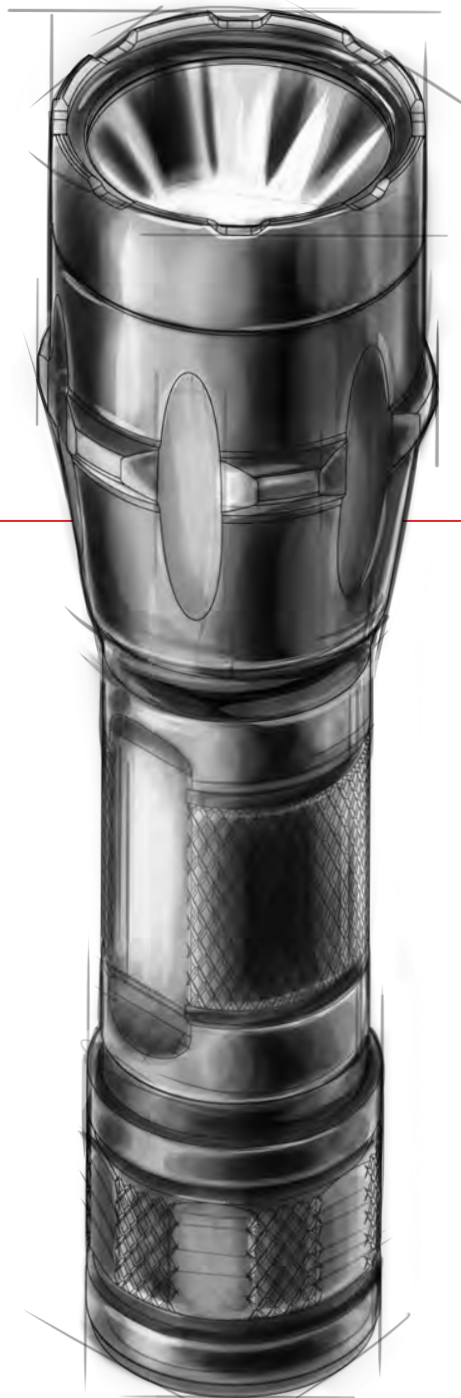
UDR-A-BK

Designed primarily for military and law enforcement use, the SureFire UDR Dominator® is the ultimate illumination tool for extreme-distance applications. Its 2,400-lumen output is shaped by a parabolic reflector designed to produce a narrow beam with maximum reach, pushing 200,000 blazing candela to a distance of nearly a kilometer. The Dominator's 11-position selector ring is a veritable command and control center, allowing instant access to nine useful output levels – from 14 to 2,400 lumens – plus tactical strobe and system-disable settings. There's also three-button head switching that directs momentary-on, constant-on or our MaxBlast feature, which delivers full power regardless of the selector ring position. The Dominator provides maximum capability for those who desire the ultimate handheld LED illumination tool.

FEATURES



FURY® DUAL FUEL SERIES



A POCKET SEARCHLIGHT

The compact, powerful Fury can be carried in a pocket, yet packs up to 1,500 lumens of maximum output. Its precision reflector creates a smooth, tight beam for superior long-range performance. Both Fury models feature Dual Fuel technology, giving you two different power options: a pair of 123A lithium disposable cells or a single economical 18650 lithium-ion rechargeable battery.

The IntelliBeam® version adds our proprietary circuitry that automatically and instantaneously adjusts the light from 15 to 1,500 lumens depending on distance from light to target. With Mil-Spec hard-anodized aluminum bodies and click-type, orientation-independent tailcap switches, these impressive illumination tools carry the torch we lit decades ago when the similar-sized SureFire 6P redefined the tactical flashlight.

FURY /'fyooré/

unrestrained or violent anger, rage, passion, or the like:
The gods unleashed their fury on the offending mortal.



FURY TACTICAL DUAL FUEL TACTICAL LED FLASHLIGHT

1500 LUMENS 22K CANDELA 2.2h RUNTIME REF IPX7 1m

- + Single-output; specifically designed for firearm use
- + Searchlight power in the palm of your hand
- + MICRO-USB rechargeable 18650



FURY INTELLIBEAM® NEW AUTO-ADJUSTING DUAL FUEL LED FLASHLIGHT

1500 LUMENS 22K CANDELA 40h RUNTIME (LOW-OUTPUT) REF IPX7 1m

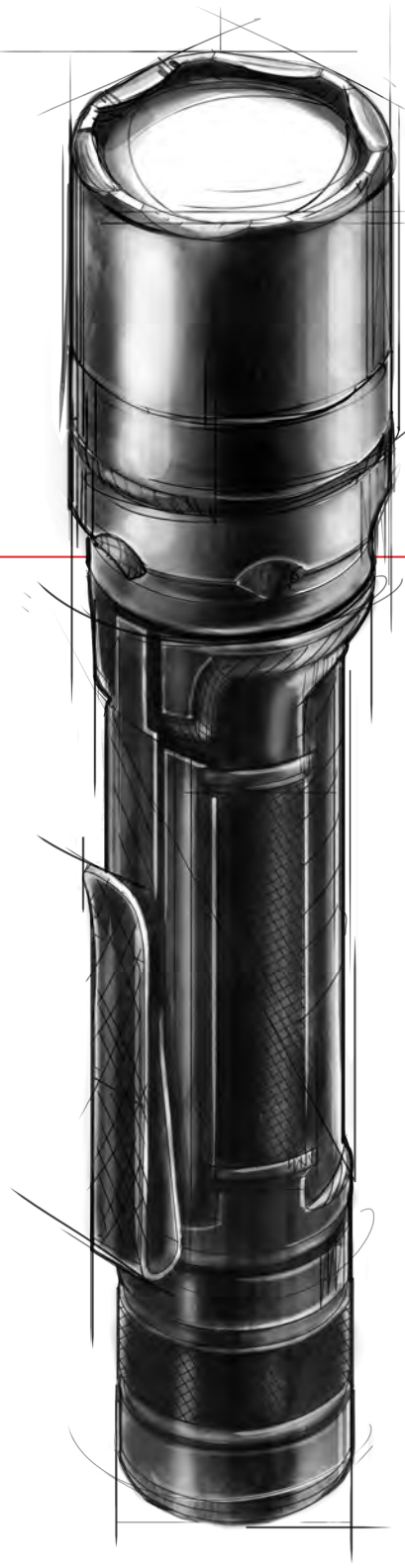
- + Auto-adjusting output for a wide variety of tasks
- + Click tailcap once for IntelliBeam®, twice for high output.
- + MICRO-USB rechargeable 18650

DUAL FUEL TECHNOLOGY



+ Powered by one MICRO-USB rechargeable 18650 or two 123A batteries

EVERYDAY CARRY SERIES



24 / 7 / 365

No one knows better than SureFire the value of a flashlight that is ready at hand. That is why we have continued to refine and develop these miniature powerhouses for nearly four decades. Our latest everyday carry lights strike the perfect balance of small size and high output. All of them feature our durable steel pocket clip for secure carry in a shirt or pants pocket.

The popular EDCLT-2 and its single-battery brother EDCLT-1 both feature a TIR lens optimized for medium- to long-range applications. Want something even more aggressive? SureFire's Defender models add our crenellated Strike Bezel®, just in case you can't solve a thorny problem with photons alone. Either way, you can quickly bring light to bear in any situation.



E1B BACKUP® DUAL-OUTPUT MAXVISION BEAM® LED FLASHLIGHT

400 LUMENS **1.8K** CANDELA **50h** RUNTIME (LOW-OUTPUT) **MVB** **IPX7** 1m

- + Easily switch between 400 lumens or 5 lumens with a single 123A battery
- + Programmed to deliver maximum output on the first click, an extremely useful function in tactical or self-defense situations.



TACTICIAN™ DUAL-OUTPUT MAXVISION BEAM® LED FLASHLIGHT

800 LUMENS **3K** CANDELA **94h** RUNTIME (LOW-OUTPUT) **MVB** **IPX7** 1m

- + Tremendous output in the slimmest possible package
- + Independent tail cap switch – press for momentary-on; rotate for constant-on



EDCL1-T DUAL-OUTPUT EVERYDAY CARRY FLASHLIGHT

500 LUMENS **7.6K** CANDELA **45h** RUNTIME (LOW-OUTPUT) **TIR** **IPX7** 1m

- + Designed for 24/7/365 carry; easily concealable
- + Choose between 5 lumens and 500 lumens from a single 123A battery



EDCL2-T DUAL-OUTPUT EVERYDAY CARRY FLASHLIGHT

1200 LUMENS **11K** CANDELA **60h** RUNTIME (LOW-OUTPUT) **TIR** **IPX7** 1m

- + Two-cell EDC designed for maximum output and close- or long-range vision
- + Switch between the 5-lumen task light or the brilliant 1,200-lumen max output



E2D DEFENDER® DUAL-OUTPUT LED FLASHLIGHT

1000 LUMENS **10K** CANDELA **63h** RUNTIME (LOW-OUTPUT) **TIR** **IPX7** 1m

- + The dual-output Defender; choose between 5 lumens or 1,000 lumens
- + Crenellated Strike Bezel® provides self-defense capability



E2D DEFENDER® TACTICAL SINGLE-OUTPUT LED FLASHLIGHT

1000 LUMENS **10K** CANDELA **2.75h** RUNTIME **TIR** **IPX7** 1m

- + The single-output Defender produces 1,000 lumens
- + Crenellated Strike Bezel® provides self-defense capability

NEW

STILETTO

MULTI-OUTPUT RECHARGEABLE POCKET LED FLASHLIGHT



- + Stiletto PRO features a rugged aluminum body for extra-durability
- + 1,000 Lumens of programmable LED white light
- + Reversible pocket clip for bezel up or down storage

PRO

NEW

1000 LUMENS

30 HOURS

(LOW-OUTPUT)



FEATURES

650 LUMENS

30 HOURS

(LOW-OUTPUT)

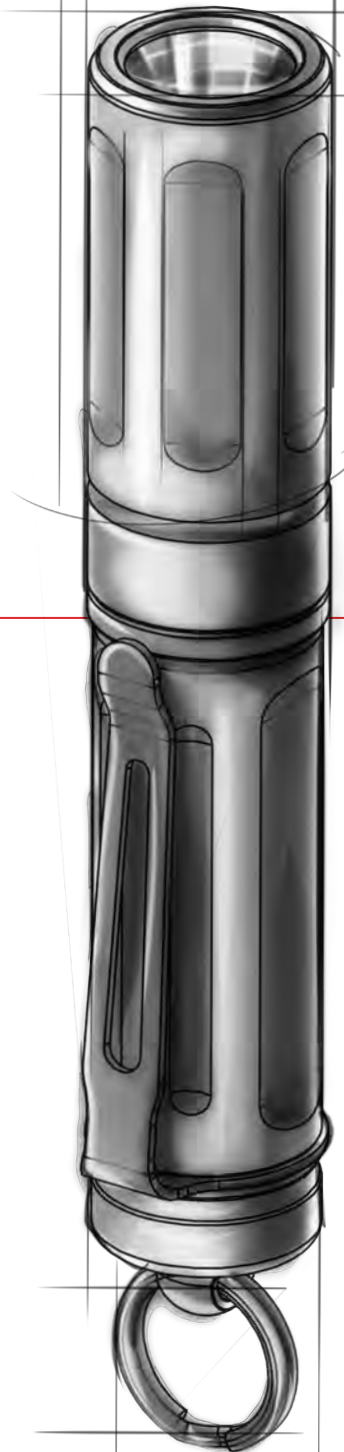


POWERFULLY SMALL

Sleek and slim, the USB-rechargeable SureFire Stiletto and Stiletto Pro carry unobtrusively in a pocket while providing an unprecedented range of capability and a MaxVision Beam®. The tactical tailcap switch unleashes a 1,000-lumen maximum output in the aluminum-bodied Stiletto Pro and 650 lumens in the polymer-bodied Stiletto, and can be easily programmed using the separate mode switch to function either as a constant-on/off switch, or a momentary switch that includes a high-frequency strobe function. The head switch offers instant access to three levels of light – 5 lumens, 250 lumens or max output – and can be set via the mode switch to cycle from low to high or vice versa. The mode switch also activates a medium frequency strobe, for emergency signaling or enhanced personal visibility. The Melonite coated steel pocket clip attached to the body allows the light to be clipped to a hat brim for hands-free operation.



ULTRA-COMPACT MAXVISION BEAM® SERIES



MVB

BANTAMWEIGHT BULLIES

SureFire's ultra-compact lights have a tough time picking on someone their own size, because they often outperform bigger and heavier competition. With the same build quality as our larger models, they will go the distance. The polymer, USB-rechargeable Sidekick delivers three levels of light: 5, 60, or 300 lumens. Our pen-sized, aerospace aluminum Titan also packs plenty of punch, with 15 or 125 lumens from a single AAA cell. The Titan Plus jacks up the maximum output to 300 lumens with lithium AAAs, and adds a 75-lumen mid-level output and a pocket clip. All three project a perfectly smooth proprietary MaxVision Beam. Don't be fooled by their small size. These SureFires are serious contenders. No brag. Just fact.



SIDEKICK® ULTRA-COMPACT TRIPLE-OUTPUT LED FLASHLIGHT

300 LUMENS 1.1K CANDELA 45h RUNTIME (LOW-OUTPUT) MVB IPX4

- + SureFire's keychain-sized, pocket powerhouse with convenient USB charging
- + Three output levels: 300-lumen max, 65-lumen medium and 5-lumen low



TITAN PLUS ULTRA-COMPACT TRIPLE-OUTPUT LED FLASHLIGHT

300 LUMENS 1.1K CANDELA 7h RUNTIME (LOW-OUTPUT) MVB IPX7 1m

- + Three useful light outputs—300, 75 and 15 lumens—activated simply by rotating the head
- + Powered by one AAA NiMH rechargeable battery



KEYCHAIN CLIP

ACCESSORIES



Z87
POCKET CLIP



V94
HEADLAMP STRAP



LIGHTKEEPER-A™
RETRACTABLE CORD

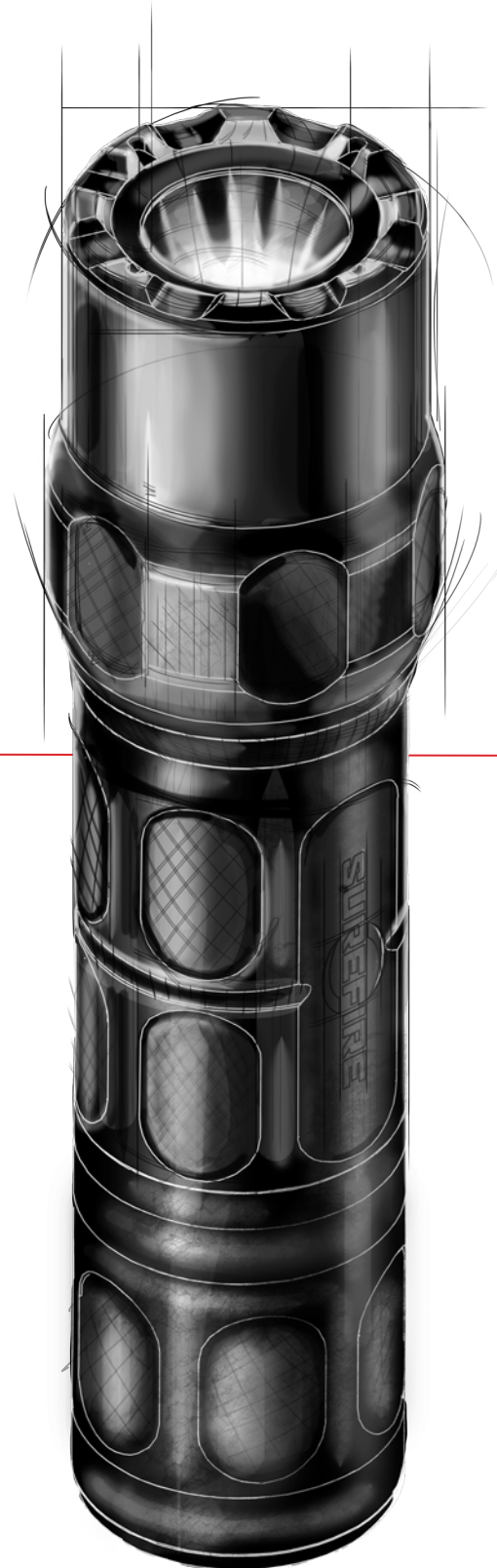


TITAN ULTRA-COMPACT DUAL-OUTPUT LED FLASHLIGHT

125 LUMENS 450 CANDELA 8h RUNTIME (LOW-OUTPUT) MVB IPX7 1m

- + 125 lumens of smooth MaxVision Beam lighting from a single AAA NiMH rechargeable battery
- + The Titan measures a mere three inches long and weighs 1 ounce

G2[®] HANDHELD SERIES



DESIGNED TO SAVE LIVES

Ideal for outdoor use, disaster preparedness, everyday carry or use by law enforcement and emergency workers, SureFire's G2[®] LED illumination tools are built with the same SureFire commitment to quality and reliability as every other product we manufacture.

Their virtually indestructible high-efficiency LED emitters, 600 to 800 lumens of penetrating white light and precision parabolic reflectors deliver the perfect combination of a bright central beam with ample surround light. G2 lights feature strong polymer bodies that are ergonomically shaped for comfortable handling in hot or cold weather conditions.

G2 models are also available with either single- or dual-output, multiple colors, and select models feature our proprietary MaxVision Beam[®], which produces a smooth, broad light pattern that's ideal for close- and medium-range applications.



6PX TACTICAL / PRO

SINGLE / DUAL-OUTPUT LED FLASHLIGHT

NSN: 6230-01-623-4223

600 **8.7K** **52h** **REF** **IPX7**
LUMENS CANDELA RUNTIME (LOW-OUTPUT)

6PX-C-BK
6PX-D-BK

- + 6PX Tactical is single high-output only; 6PX Pro is dual-output
- + Greatly extended battery life with useful 15-lumen low-output setting
- + Press or click for low output, repeat for high output



6PX-D-BK (PRO - BLACK)
Dual-output LED flashlight
NSN 6230-01-617-9616



6PX-D-FG (PRO - Foliage Green)
Dual-output LED flashlight



6PX-D-TN (PRO - TAN)
Dual-output LED flashlight



6PX-D-YL (PRO - YELLOW)
Dual-output LED flashlight



6PX-C-BK (TACTICAL - BLACK)
Single-output LED flashlight



G2X TACTICAL / PRO

SINGLE / DUAL-OUTPUT LED FLASHLIGHT

See models below

600 **8.7K** **52h** **REF** **IPX7**
LUMENS CANDELA RUNTIME (LOW-OUTPUT)

- + G2X Tactical is single high-output only; G2X Pro is dual-output
- + The fundamental workhorse of the G2 family
- + Press or click for low output, repeat for high output



G2X LE

DUAL-OUTPUT LED FLASHLIGHT

G2XLE-BK

600 **8.7K** **52h** **REF** **IPX7**
LUMENS CANDELA RUNTIME (LOW-OUTPUT)

- + The ideal standard-issue light for law enforcement officers
- + Press or click for high output, repeat for low output



G2X MV

DUAL-OUTPUT MAXVISION BEAM™ LED FLASHLIGHT

G2X-MV

800 **3.3K** **52h** **MVB** **IPX7**
LUMENS CANDELA RUNTIME (LOW-OUTPUT)

- + MaxVision Beam[®] produces smooth, rounded lighting pattern
- + Press or click for low output, repeat for high output



G2ZX COMBATLIGHT

SINGLE-OUTPUT LED FLASHLIGHT

NSN 6230-01-532-3740

G2ZX-C-BK

600 **8.7K** **1.5h** **REF** **IPX7**
LUMENS CANDELA RUNTIME

- + Designed to facilitate the Rogers-SureFire handgun technique
- + Unique polymer body ergonomics with grip ring
- + Press for momentary-on, twist for constant-on



G2Z MV COMBATLIGHT

SINGLE-OUTPUT MAXVISION BEAM™ LED FLASHLIGHT

G2Z-MV

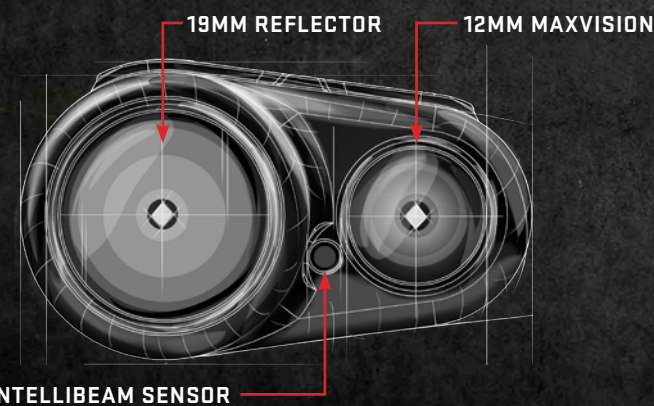
800 **3.3K** **1.5h** **MVB** **IPX7**
LUMENS CANDELA RUNTIME

- + Designed to facilitate the Rogers-SureFire handgun technique
- + MaxVision Beam[®] produces smooth, rounded lighting pattern

GUARDIAN[®]

DUAL-BEAM RECHARGEABLE ULTRA-HIGH OUTPUT LED FLASHLIGHT

**DUAL-BEAM
UTILITY LIGHT
WITH A VIRTUAL
MIND OF ITS OWN**



ACCESSORIES



V95
NYLON HOLSTER



TWO FLASHLIGHTS IN ONE

With two separate emitters, the USB-C rechargeable SureFire Guardian may be the ultimate utility light. One LED has an 800-lumen maximum output, focused by a 19 mm precision reflector for medium- to long-range applications. The second LED provides a maximum output of 1,000 lumens with a 12 mm optic and MaxVision Beam[®] for close-range flood illumination. SureFire's groundbreaking IntelliBeam[®] technology instantly and automatically varies the output from each emitter according to ambient lighting conditions. Separate switches allow instant access to either beam; switch function can be quickly user-programmed to one of five different profiles. An LED fuel-gauge lets you monitor battery level, and the Guardian can even serve as an emergency USB power source. Two lights in one. Only from SureFire.

FEATURES

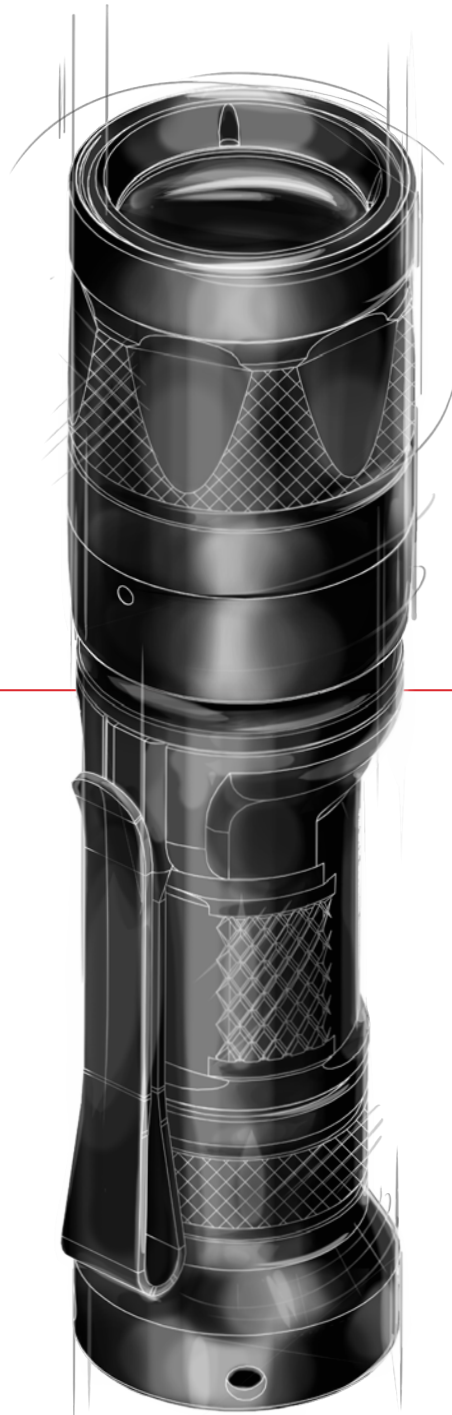
1000 LUMENS

62 HOURS
(LOW-OUTPUT)



MULTI-SPECTRUM SERIES

IR V1



THE BEST OF BOTH WORLDS

Specialized tasks often require specialized equipment. SureFire's multi-spectrum lights give you instant access to white light tactical illumination, plus a secondary spectrum, with a simple twist of the flashlight bezel. So if you are using night vision equipment – or need an amber, red, blue, or yellow-green LED to perform the job at hand – there's no need to carry two separate lights. A single compact SureFire illumination tool will offer superior output and runtimes in an all-in-one package.



AVIATOR® MULTI-SPECTRUM DUAL-OUTPUT LED FLASHLIGHT

250 LUMENS **9K** CANDELA **58h** RUNTIME (LOW-OUTPUT) **TIR** **IPX7** 1m

See models on right

- + High output for medium- to long-range; low output for extended runtime
- + All models feature white and choice of amber, red, yellow-green, or blue



AVIATOR-AM (AMBER)
Improves contrast and does not degrade scotopic or night-adapted vision



AVIATOR-RD (RED)
Red improves contrast and aids in reading red-light-readable topographic maps



AVIATOR-BL (BLUE)
Clearly defines shapes in the outdoors and helps identify blood and hydraulic fluid



AVIATOR-YG (YELLOW-GREEN)
Complimentary to the color spectrum used in most cockpit lighting



V1-B VAMPIRE INFRARED/WHITE DUAL-OUTPUT LED FLASHLIGHT

250 LUMENS **100mW** INFRARED **9K** CANDELA **57h** RUNTIME (IR LOW-OUTPUT) **TIR** **IPX7** 1m **V1-B-BK**

- + The perfect dual-spectrum tactical light for military and law enforcement night vision users
- + Easily selectable V-Series head switches between white or infrared light with no filter required
- + 100mW or 5mW of IR for night vision use



V1-C VAMPIRE INFRARED/RED DUAL-OUTPUT LED FLASHLIGHT

.4 LUMENS **100mW** INFRARED **68h** RUNTIME (IR LOW-OUTPUT) **TIR** **IPX7** 1m **V1-C-BK**

- + Ultra-low output for light discipline
- + 100mW of IR for night vision use

HANDS-FREE LIGHTS

A HELPING HAND WHEN YOU NEED IT

SureFire's class-leading headlamps, WristLights and HelmetLights lend a hand when you need it by allowing you to keep both hands on a given task.

In addition to providing up to 1,000 blazing lumens of white light (depending upon which model you choose) our world-class hands-free lights are engineered with a host of useful features. The SureFire Maximus® and Minimus™ headlamps, and our 2211® WristLight, utilize our proprietary MaxVision Beam® for optimal close- to mid-range vision. Our battle-tested HelmetLight provides multiple levels of illumination and multiple LED color combinations for a variety of combat-related tasks.

From the highest mountain tops to the deepest caves, and anywhere in-between, you can depend on the power and reliability that only comes from a SureFire hands-free light.



WRISTLIGHT SERIES



SERIOUSLY HANDY

Developed with input from law enforcement professionals, the SureFire 2211® WristLight is a lightweight, cutting-edge tool that provides hands-free illumination for a wide range of tasks – including use with a handgun. When strapped to your support-side wrist, the 2211 automatically aligns with a handgun that is held with a standard two-handed grip, projecting sufficient light for threat identification in low light and darkness. The WristLight's broad MaxVision Beam® creates a smooth swath of light that is ideal for close- and medium-range encounters. Easily switchable among three output levels—300, 60, and 15 lumens— the 2211 is ready for any job.

“THE 2211 PUTS LIGHT IN YOUR FIELD OF FIRE WHEN USING A TWO-HANDED PISTOL GRIP.”



2211

VARIABLE-OUTPUT RECHARGEABLE LED WRISTLIGHT

300 1.1K 13h 300 1.1K 13h
LUMENS CANDELA RUNTIME (LOW-OUTPUT) MVB

- + IPX7 water resistance
- + Straps to support-hand wrist, via an adjustable nylon band, for instant access
- + Activation sequence is user programmable; easily switch output sequence to go from high to low or low to high



2211X

VARIABLE-OUTPUT 123A-POWERED LED WRISTLIGHT

300 1.1K 13h 300 1.1K 13h
LUMENS CANDELA RUNTIME (LOW-OUTPUT) MVB

- + IPX4 water resistance
- + One-touch max-output switching: press for max output; press and hold for lower-output settings
- + Powered by a single disposable 123A lithium battery



2211 SIGNATURE

VARIABLE-OUTPUT RECHARGEABLE LED WRISTLIGHT

300 1.1K 13h 300 1.1K 13h
LUMENS CANDELA RUNTIME (LOW-OUTPUT) MVB

- + IPX7 water resistance
- + Ambidextrous switching activates three levels of useful light: 300, 60, and 15 lumens
- + Quartz movement with a rotating bezel



2211 LUMINOX

VARIABLE-OUTPUT RECHARGEABLE LED WRISTLIGHT

300 1.1K 13h 300 1.1K 13h
LUMENS CANDELA RUNTIME (LOW-OUTPUT) MVB

- + IPX7 water resistance
- + Ambidextrous switching activates three levels of useful light: 300, 60, and 15 lumens
- + Rugged Luminox watch features date, rotating bezel, and self-illuminating tritium dial for low-light situations

MINIMUS

VARIABLE-OUTPUT LED HEADLAMP

HS2-MV-A-BK



MAXIMUS

ULTRA-HIGH VARIABLE-OUTPUT LED HEADLAMP

HS3-A-BK
NSN 6230-01-622-0311



V S

GLADIATORS OF LIGHT

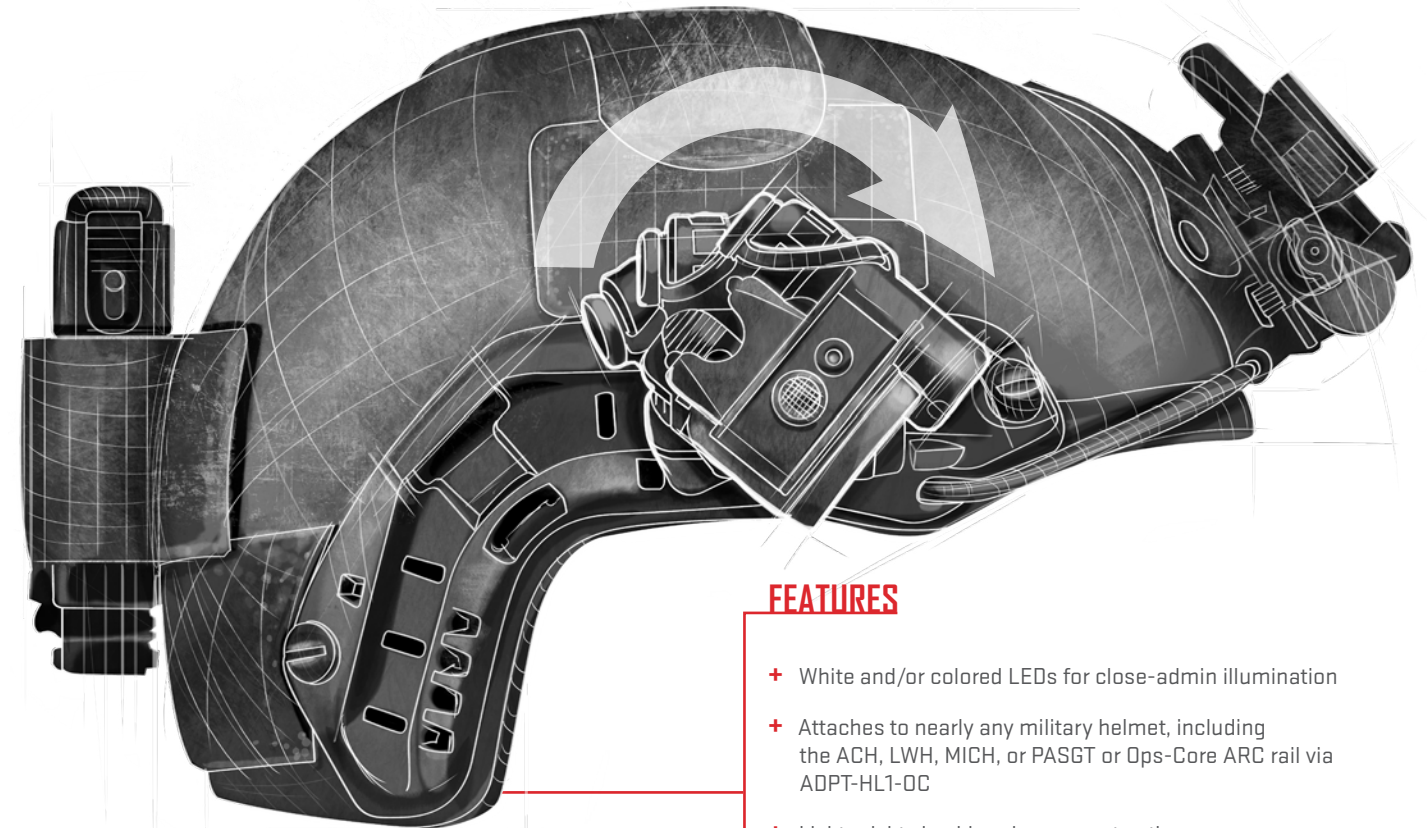
Like champions in different weight classes, the SureFire Minimus and Maximus deliver knockout performances with high-performance LEDs and our proprietary MaxVision Beam® technology, which optimizes output for the user's field of vision. The Minimus boasts ergonomic switching with a variable-light output dial that permits one-handed adjustment to 13 light settings from 5 to 300 lumens. The Maximus packs even more of a punch with a one-handed switching that allows easy adjustment from 1 to 1,000 lumens, even when wearing gloves. Lightweight and durable, the Minimus features a hard-anodized, aerospace aluminum housing while the Maximus housing is made of magnesium. With custom headbands built for comfort and durability, and a washable, replaceable Breathe-O-Prene® pad that wicks away moisture, the Minimus and Maximus are true gladiators in the hands-free arena.

TWO CHAMPIONS OF THE HANDS-FREE ARENA, THE MINIMUS AND MAXIMUS DELIVER KNOCKOUT PERFORMANCES

HELMETLIGHT SERIES

IR VI

LIGHT ROTATES 360°



FEATURES

- + White and/or colored LEDs for close-admin illumination
- + Attaches to nearly any military helmet, including the ACH, LWH, MICH, or PASGT or Ops-Core ARC rail via ADPT-HL1-OC
- + Lightweight, durable polymer construction
- + Infrared LED beacon serves as Identification: friend or foe (IFF)



COMBAT-TESTED LUMINOSITY

The SureFire HelmetLight is a compact, watertight, multiple-output illumination tool that provides hands-free illumination for close-quarter tasks. The HelmetLight attaches to nearly any military helmet, including the ACH, LWH, MICH or PASGT, without permanent modification to the helmet, using the included low-profile mounting bracket. The light can be easily removed from the helmet for servicing, or transferred to an optional mount worn on the body. It attaches to any MOLLE or PALS webbing via an optional SureFire Z71 MOLLE Clip. The ADPT-HL1-OC adapter is a rotating mount that is designed specifically for Ops Core helmets or helmets using the Ops Core ARC rail system. Powered by a single 123A lithium battery, the HelmetLight uses 5 + 1 Fixed IR IFF light emitting diodes to produce multiple spectra of light at multiple power levels. LEDs are activated via ergonomic, no-look switching that can be easily operated with either hand – even while wearing gloves – and a lockout battery cap ensures that the HelmetLight doesn't accidentally activate during transport or storage.



ADPT-HL1-OC
OPS CORE RAIL SYSTEM MOUNT
Required for Ops Core Helmets



Z71
HELMET LIGHT MOLLE CLIP
Has magnets to attach to steel
NSN: 6220-01-549-4288



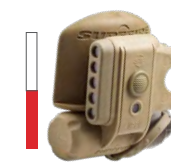
HL1-A-BK (WHITE / BLUE LED)
NSN: 6220-01-594-0581



HL1-A-TN (WHITE / BLUE LED)
NSN: 6220-01-549-4174



HL1-B-TN (WHITE / INFRARED LED)
NSN: 6220-01-549-4184



HL1-C-TN (WHITE / RED LED)
NSN: 6220-01-549-4203



HL1-D-TN (YELLOW-GREEN / INFRARED LED)
NSN: 6220-01-549-4218

» See Specification Section for further details on products «

SOUND SUPPRESSORS

FACT VS. FICTION

Suppressor technology has evolved significantly over the last two decades, but the level of hype and misinformation in the marketplace has increased as well, making it harder to separate fact from fiction. This is understandable given that most consumers do not have access to industrial sound testing equipment, metallurgical analysis, extensive field trials, and all the other tools we use to develop SureFire suppressors. Rest assured that the U.S. military utilizes these same metrics to identify if the suppressors are worthy of being carried into battle by our warfighters.

US and allied forces have trusted SureFire suppressors since the early 2000s, a trust that was reinforced in 2011 when we crushed the competition in the most demanding suppressor trials in history and were awarded the current United States Special Operations Command (SOCOM) suppressor contract.

In the real world, performance – not hype – is the only thing that matters, and SureFire suppressors deliver it with a combat-proven record. They are built to win the fight. That's a verifiable fact.

SOCOM
SERIES

COMBAT-PROVEN RELIABILITY

AMERICAN BUILT. AMERICAN STRONG.

BUILT TO OUTLAST THE BARRELS ON WHICH THEY'RE MOUNTED

All suppressors will attenuate sound to some degree, which is fine for casual use, but it's a different story when lives are on the line.

Compact and lightweight, SureFire SOCOM Series Fast-Attach® suppressors were selected for use on the Mk18 and M4 by U.S. Special Operations Command after placing first among all competitors in the most extensive and demanding suppressor evaluation in history. This test covered all aspects of suppressor performance, and SureFire beat every other entry. It has also received the USSOCOM official safety verification in support of fielding.

SureFire SOCOM Series Fast-Attach suppressors are the official choice of the US Army, US Navy, US Air Force, and US Marine Special Operations because they are built for combat. Our suppressors are battle-tested and proven to provide unmatched performance, durability, and reliability. In addition to providing tremendous sound attenuation, they reduce muzzle blast, provide minimal and consistent point-of-impact shift, securely attach/detach with no tools, minimize gas blowback, and effectively reduce flash with near-total elimination of first-round muzzle flash.

Our suppressors are built to silence the enemy.



MINIMAL & CONSISTENT POINT-OF-IMPACT SHIFT

Every SureFire suppressor maintains strict standards for accuracy even with repeated attachment and removal of the suppressor. We test every SOCOM suppressor for minimal and consistent sub 1-MOA (minute of angle) point of impact shift.



UNMATCHED DURABILITY

Our cutting-edge materials, redundant welding and advanced engineering ensure that a SureFire suppressor will withstand the punishment of extreme combat. With a service life exceeding tens of thousands of rounds of use, a SureFire suppressor can be trusted to outlast the barrel on which it is mounted.



COMBAT-PROVEN FAST-ATTACH® SYSTEM

Our proprietary Fast-Attach mounting system provides rock-solid attachment without requiring any tools. Simply slide the suppressor over the SureFire muzzle adapter indexing on the built-in slot and secure the lock ring at the base. It's on or off in seconds, and when it's mounted it stays mounted, solidly and securely, regardless of the number of rounds fired.



NEXT-GEN DESIGN

We require more of our suppressors than merely suppressing the gunshot. SureFire suppressors also significantly reduce flash and dust signature. Our painstaking design results in significant flash reduction – up to 99 percent, which helps keep the shooter's position virtually undetectable. Our suppressor design also reduces vibration and recoil.



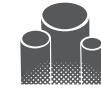
ENHANCED GAS-FLOW DYNAMICS

Managing gas flow is critical to suppressor performance and reliability. SureFire suppressors are designed to effectively minimize back pressure and reduce gas blowback on the shooter for improved reliability and combat marksmanship.



HIGH-PERFORMANCE BAFFLES

SureFire's carefully engineered baffle design significantly reduces a weapon's report. Exactly how much depends on many factors, but we use exclusive testing methodology and state-of-the-art equipment to make our suppressors as quiet as possible without compromising their performance in other areas. Our baffles are also carefully designed to allow an unstable projectile to pass through and travel safely downrange instead of piercing through the suppressor tube.



HIGH-TEMP CERTIFIED ALLOYS

SureFire suppressors are constructed from stainless steel and Inconel alloys that stand up to the extreme temperatures and pressures generated during prolonged suppressor use in combat conditions. They also resist erosion from superheated gases and particles that can render other suppressors useless.



FACTORY TEST FIRED

We know that our suppressors are used in the most extreme combat conditions on the planet. We won't release SOCOM Series suppressors until we verify that it performs to our rigorous standards. That means test-firing each and every unit to ensure that it achieves the desired minimal point-of-impact shift, as well as overall group size. SureFire suppressors are the choice of elite military units worldwide, and we intend to keep it that way.



SOCOM RC2

SureFire SOCOM RC2 suppressors showcase our cutting-edge suppressor design and incorporate the latest in manufacturing techniques and materials, delivering the ultimate in signature reduction. The SOCOM260-RC2 joins the RC2 line for 2019, providing 6 mm/6.5 mm/.260 rifle and carbine users with a durable, dependable option. You can count on every RC2 to provide the utmost in sound attenuation and a tremendous reduction in flash and dust signature. That's why it is our best-selling suppressor family.

Next-Generation Design; increased structural integrity and effectively eliminates first-round flash



COMBAT-PROVEN FAST-ATTACH SYSTEM

+ Provides rock-solid attachment in seconds

556



6.3"

SOCOM556-RC2

5.56 MM RIFLES & CARBINES

+ Optimized for 10" or longer barrels



BLACK SOCOM556-RC2-BK DARK EARTH SOCOM556-RC2-DE

260



8.4"

SOCOM260-RC2 **NEW**

6 MM/ 6.5 MM/ 260 RIFLES & CARBINES

+ Military-grade high-temp alloy suppressor for semi-automatic weapon systems



BLACK SOCOM260-RC2-BK DARK EARTH SOCOM260-RC2-DE

762



8.4"

SOCOM762-RC2

7.62 MM RIFLES & CARBINES

+ Excels for use on 7.62 Select Fire Carabines, and .300 Win Mag sniper rifles



BLACK SOCOM762-RC2-BK DARK EARTH SOCOM762-RC2-DE

SOCOM MINI2

In close quarters, when every inch of weapon length matters, you can count on SureFire SOCOM MINI2 suppressors to deliver the same level of performance that assured SureFire's victory in the extremely demanding US Special Operations Command (SOCOM) suppressor trials. Meticulously engineered, MINI2s pack virtually all the attributes of our popular RC2 suppressors in a more compact package. Like every SureFire Fast-Attach suppressor model, every SOCOM MINI2 produces minimal point-of-impact shift compared to that of an unsuppressed weapon.



PACKS VIRTUALLY ALL THE ATTRIBUTES OF OUR POPULAR SOCOM RC2 SUPPRESSORS IN A MORE COMPACT PACKAGE



5.0"

SOCOM556-MINI2
5.56 MM RIFLES & CARBINES

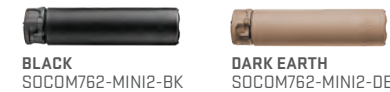
+ Smallest, lightest in the 5.56 family, optimized for 14.5" or longer barrels



6.3"

SOCOM762-MINI2
7.62 MM RIFLES & CARBINES

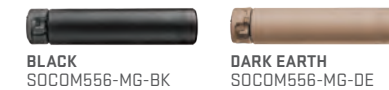
+ Smallest, lightest in the 7.62 family, optimized for 16" or longer barrels in 7.62x51 and 7.62x39



6.9"

SOCOM556-MG
5.56 MM MACHINE GUNS

+ Optimized for belt-fed machine guns



9.3"

SOCOM762-MG
7.62 MM MACHINE GUNS

+ Optimized for belt-fed machine guns



SOCOM MG

Substantially thicker materials and more robust baffles give the MG series extreme durability under the severe heat and stress of sustained full-auto use. Our superior gas-flow dynamic design significantly minimizes back pressure and gas blowback on the shooter while effectively attenuating sound and decreasing flash and dust signatures.

SureFire SOCOM MG suppressors feature proven, combat-fielded technology that is trusted by special operations forces employing full-auto weapons in the global war on terror.

Unmatched Durability

High-temperature Inconel alloy/stainless steel construction ensures dependability even with full-auto use



SOCOM Ti

Military-grade features meet exotic metal and extremely light weight in the SOCOM Ti line, designed primarily for bolt-action precision rifles, sniper and hunting applications. SureFire employs only high-grade titanium alloy to produce a premium suppressor that weighs as little as 11 ounces while maintaining our legendary signature reduction. Precision manufacturing tolerances, strict attention to bore concentricity and suppressor alignment, and our versatile Fast-Attach® mounting system combine to provide the best titanium suppressor available.

Stay on Target
Lightweight titanium construction allows for minimal impact on weapon-handling characteristics



338



9.9"

SOCOM338-Ti

.338 LAPUA / NORMA MAG RIFLES

+ Developed for bolt-action precision rifle use, down to 6.5 mm



BLACK
SOCOM338-TI-BK

DARK EARTH
SOCOM338-TI-DE

260



7.9"

SOCOM260-Ti **NEW**

6 MM/6.5 MM / 260 RIFLES

+ Developed for bolt-action precision rifles, sniper and hunting applications



BLACK
SOCOM260-TI-BK

DARK EARTH
SOCOM260-TI-DE

300



7.9"

SOCOM300-Ti **NEW**

7.62 MM/.308 / 300 BLACKOUT RIFLES

+ Developed for bolt-action precision rifles, up to 300 WM and 300 PRC Sniper Rifles



BLACK
SOCOM300-TI-BK

DARK EARTH
SOCOM300-TI-DE

COLD-BORE CONFIDENCE

The SureFire SOCOM260-Ti is the suppressor you need when an accurate cold-bore shot means the difference between success and failure. Our precision rifle suppressors have been manufactured for use with bolt or gas guns to meet the needs of law enforcement, military and civilian marksmen worldwide. Our minimal point-of-impact shift has been heralded throughout the industry, just one more reason why tactical professionals around the world trust SureFire.

FIELD NOTES WATCH FIELD NOTES ONLINE
WWW.YOUTUBE.COM/USER/SUREFIREBEAM



300

SOCOM SPS

The SureFire SOCOM300-SPS is an excellent solution for 300 WM and 300 PRC users seeking superior levels of sound attenuation from a precision-built suppressor. It incorporates the same advanced design features that earned SureFire's convincing victory in the SOCOM suppressor trials, but they are optimized for .300 BLK/Whisper while remaining compatible with other bolt-action rifles from 5.56 mm to the formidable 300 PRC.

7.9"



FEATURED ACCESSORY

BORE ALIGNMENT RODS

5.56 MM, 6.5 MM, 6.8 MM, 7.62 MM, .338 CALIBER



- + The right way to check concentricity prior to firing suppressed on a new platform
- + SureFire Bore Rods replicate the bullet path to indicate potential alignment issues



PROPER ALIGNMENT



OUT OF ALIGNMENT

SOCOM300-SPS

7.62 MM/.308 / 300 BLACKOUT RIFLES

- + This best-in-class suppressor provides the ultimate sound suppression for .300 Blackout weapon systems.



BLACK
SOCOM300-SPS-BK



DARK EARTH
SOCOM300-SPS-DE



SOCOM SB2

We designed our SB2 suppressors so short-barrel 5.56 mm (.223 caliber) rifle users don't have to compromise performance or reliability. The SB2 delivers extremely low back pressure and stealthy sound attenuation in a suppressor optimized for rifle barrels shorter than 10" and short piston systems like the Heckler & Koch G36C. It weighs a mere 17 ounces and can add as little as 3.8 inches to overall weapon length for easy carry and handling. It combines supreme quiet and extreme compactness in one efficient unit.

**NO COMPROMISE
ON PERFORMANCE
OR RELIABILITY WITH
THIS SHORT-BARREL
SUPPRESSOR**



Factory Test-Fired
All SOCOM556-SB2 suppressors are test-fired to verify sub-1 MDA group size and point-of-impact shift



6.3"

FirstSpear® MOLLE POUCH

Included with every SOCOM Series suppressor



SOCOM556-SB2

5.56 MM SHORT BARREL RIFLES & PISTOLS

+ Optimized for 10" and shorter barrels



BLACK
SOCOM556-SB2-BK

DARK EARTH
SOCOM556-SB2-DE



WARRIOR'S
PERSPECTIVE



US MARINE CORPS:
6 years (active)
8 years (reserve)

3-GUN NATIONAL
CHAMPION

6-TIME MGM IRONMAN
CHAMPION

FOUNDER AND
VICE PRESIDENT:
SureFire Suppressors
& Weapons



▶ "WE WORK HARD,
AND WE ARE ALWAYS
STRIVING TO MAKE
THE BEST BETTER"

BARRY DUECK

VP OF SUPPRESSORS AND WEAPONS - SUREFIRE

Coming to SureFire from the Marines, I had high standards. Initially my job was teaching low-light CQB, which doubled as a test lab for lights. We spent years testing and refining the nuances to make the best fighting light. We would train force-on-force and live fire, then go back to the shop to go over the data with the team. We learned, and the products evolved from the best to even better.

In 2002 I saw a need for a better suppressor, one that repeated zero and had minimal point-of-impact shift. It had to be strong yet lightweight, and it needed to be small enough so it was practical for the operator. I had been working suppressor R&D in my off time for the previous seven years, and I knew I could do it. So I pitched the idea to Dr. Matthews and got the go-ahead. His only guidance was, "Build the best."

That pretty much sums up what we do at SureFire: We build the best. Our suppressors have since won major military contracts and are standard issue on the USMC M40A5 and M40A6 sniper rifles, USSOCOM M4, Mk 18 assault rifles and Mk 13 sniper rifles. They are also issued to military and law enforcement units in many countries around the free world.

We work hard, and we are always striving to make the best better and to give those going into harm's way the ultimate tools so they come home safe.

FIELD NOTES ▶ WATCH FULL EPISODE ONLINE
WWW.YOUTUBE.COM/USER/SUREFIREBEAM

SF[®] RYDER 9

SF[®] RYDER 9 and 9M suppressors are designed for 9mm handguns, carbines, and rifles, even select-fire models. These full-auto-rated, direct-thread suppressors can be ordered in two different colors, with either a 1/2 x 28 threaded piston or M13.5 x 1 LH, depending on the host weapon. Additionally, for carbine use, the SureFire Fixed Barrel Spacer is available to improve performance. The RYDER 9 Modular also allows the user to configure the overall length of the suppressor to meet specific needs. For mission-critical use when the ultimate in performance and durability is paramount, the RYDER 9-MP5 answers the call for tri-lug option carbines.

YEARS OF DEVELOPMENT
CULMINATED IN THE CREATION
OF THE ULTIMATE 9 MM
SOUND SUPPRESSOR



SF RYDER 9-Ti2 **NEW** SUPPRESSOR FOR 9 MM PISTOLS & RIFLES

- + Ultra-lightweight titanium tube with stainless steel baffles and easily disassembled



BLACK
SF RYDER 9-Ti2-1/2-28-BK
SF RYDER 9-Ti2-M13.5X1 LH-BK

DARK EARTH
SF RYDER 9-Ti2-1/2-28-DE
SF RYDER 9-Ti2-M13.5X1 LH-DE

SF RYDER 9M-Ti SUPPRESSOR FOR 9 MM PISTOLS & RIFLES

- + Keep it short when you want less length and weight; add the modular component when you need to maximize sound suppression



BLACK
SF RYDER 9M-Ti-1/2-28-BK
SF RYDER 9M-Ti-M13.5X1 LH-BK

DARK EARTH
SF RYDER 9M-Ti-1/2-28-DE
SF RYDER 9M-Ti-M13.5X1 LH-DE

SF RYDER 9-MP5 SUPPRESSOR FOR 9 MM TRI-LUG CARBINES

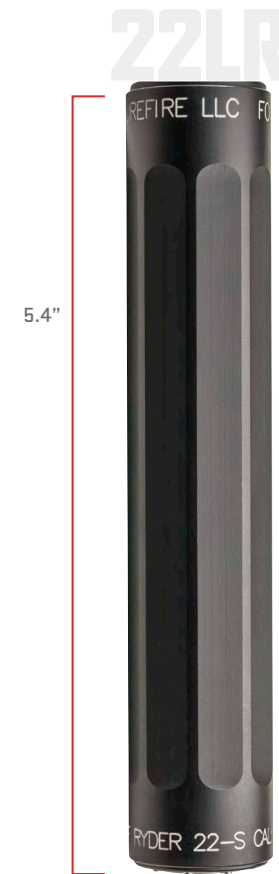
- + Attaches to a Tri-Lug barrel with built-in spacers and indexed baffles for easy reassembly



BLACK
SF RYDER 9-MP5

SF[®] RYDER 22

Optimized for .17 HMR and .22 Long Rifle rimfire pistols and rifles, the full-auto-rated SureFire SF[®] RYDER 22-S is built to exacting standards. Sealed spaces between the RYDER's baffles help to reduce carbon buildup inside the tube for easy disassembly and keep the suppressor clean longer. These baffles are numbered for easy assembly in the correct order after cleaning. It has a tough, Mil-Spec hard-anodized outer tube with extremely durable stainless baffles. Outside, the 22-S's lightweight aluminum body features rounded ends and flutes to reduce weight without sacrificing strength. Light and compact, the SF RYDER 22-S minimizes additional weight as well as maneuverability constraints.



SF RYDER 22-S SUPPRESSOR FOR .22 LR RIFLES & PISTOLS WITH 1/2 x 28 THREADS

- + Quiet and lightweight, the SF RYDER 22 is full-auto rated with heavy-duty, heat-treated stainless steel baffles built to handle .17 HMR and .22 WMR ammo.



WARCOMP

THE GUNFIGHTER'S FLASH HIDER

See Adapters chart in Specifications section for available models

Designed to excel at multiple tasks, the SureFire WARCOMP is the world's most shootable flash hider. We designed the WARCOMP to reduce muzzle flash by more than 98 percent while also virtually eliminating muzzle rise, allowing the shooter to stay on target and achieve faster follow-up shots. The WARCOMP is available in 5.56 mm, .260 cal and 7.62 mm versions. It also serves as a rock-solid mounting point for SureFire SOCOM Series Fast-Attach[®] suppressors.



ROBUST OPEN TINES

Provides approximately 98% reduction in muzzle flash compared to a bare muzzle, conceals the shooter's location and preserves dark-adapted vision



STRONG & DURABLE

Every SureFire WARCOMP is precision-machined from heat-treated U.S. mill-certified stainless steel bar stock and DLC-coated for extreme durability and corrosion resistance.



VARIABLE TIMING OPTIONS

Direction may be timed to optimize for right-hand, left-hand or neutral compensation.



WARCOMP CTN

CLOSED-TINE FLASH HIDER FOR SOCOM SUPPRESSOR

See Adapters chart in Specifications section for available models

The WARCOMP CTN is a shorter, closed-tine flash hider for 5.56 mm rifles and carbines. It significantly reduces muzzle flash compared to that of the bare muzzle. Neutrally ported to eliminate vertical muzzle rise, the WARCOMP CTN allows easy target tracking and faster follow-up shots. It also serves as a rugged and reliable mounting point for SureFire SOCOM Series Fast-Attach[®] suppressors.



ROBUST CLOSED-TINE DESIGN

The WARCOMP CTN's closed-tine design helps reduce visible flash while greatly reducing the chance of snagging the muzzle on objects in the field.



TOUGH AS NAILS

U.S. mill-certified stainless steel bar stock and DLC coating give the WARCOMP CTN tremendous durability and corrosion resistance for extended service life.



BUILT TO SERVE

Neutrally ported to aid in recoil management.



**ELIMINATES 98% OF ALL MUZZLE FLASH,
CONCEALS THE SHOOTER'S LOCATION,
AND PRESERVES DARK-ADAPTED VISION**

FLASH HIDERS

SureFire has developed the finest flash hiders in the world. They deliver greater than 99 percent muzzle flash reduction to effectively conceal a shooter's position while also minimizing degradation of night-adapted vision. Machined from durable, heat-treated stainless steel, our SF3P and SFCT model flash hiders provide a rock-solid platform on which to mount a SureFire SOCOM Series Fast-Attach® sound suppressor.

FEATURES

- + Heat-treated stainless steel construction precision CNC machined from U.S. mill-certified bar stock
- + High-precision single-point barrel interface threads
- + DLC coating provides maximum protection against harsh environmental conditions and facilitates cleaning after extreme use
- + Inspected for all critical dimensions, including concentricity and alignment
- + Multiple bearing surfaces to ensure superior suppressor alignment

99% MUZZLE FLASH REDUCTION TO EFFECTIVELY CONCEAL A SHOOTER'S POSITION



Bare muzzle:
M4 carbine, M855 ammunition

With SureFire flash hider:
M4 carbine, M855 ammunition

FEATURED ACCESSORY

ADAPTER CARBON SCRAPER TOOL*

5.56 MM, 7.62 MM

SHOWN WITH ADAPTER IN CLEANING TOOL

*Muzzle adapter not included



SUPPRESSOR ADAPTER



SF3P

WORLD'S MOST EFFECTIVE FLASH HIDER

- + 99% flash reduction
- + Multiple bearing surfaces provide superior suppressor alignment and help prevent ringing of tines inside suppressor

See Adapters chart in Specifications section for available models & NSN



SUPPRESSOR ADAPTER

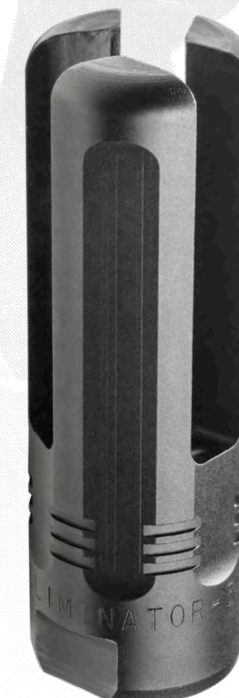


SFCT

CLOSED-TINE FLASH HIDER

- + Highly effective flash hider that significantly reduces visible flash signature
- + Made from heat-treated stainless steel that is highly resistant to corrosion and gas/particle erosion
- + CNC-machined to precisely align suppressor with the bore of host weapon

SFCT-556-1/2-28



3P ELIMINATOR™

FLASH HIDER STAND-ALONE (NON-SOCOM ADAPTER)

- + 99% flash elimination
- + Nitride coating provides maximum protection against harsh environmental conditions and facilitates cleaning after extreme use

3P-ELIMINATOR-556-1/2-28
3P-ELIMINATOR-762-5/8-24

NOTE: 3P ELIMINATOR cannot be used as mount for SOCOM Series suppressors

SF-ACST

ADAPTER CARBON-SCRAPING TOOL

- + Removes carbon fouling from SureFire Suppressor Adapter
- + Requires no maintenance
- + Made of corrosion-resistant stainless steel

SF-ACST-556
SF-ACST-762

» See Specification Section for further details on products «

MUZZLE BRAKES

SureFire muzzle brakes are the best of the breed. While most muzzle brakes direct concussion back toward the shooter, disturbing shot follow-through and disrupting follow-up shots, our proprietary Impulse Diffusion design significantly reduces weapon recoil and muzzle rise with minimal concussion directed toward the shooter.



REDUCES DUST SIGNATURE,
PERFECT FOR FIRING WHEN
PRONE IN SAND OR DIRT

BLAST REGULATOR

Every SureFire SOCOM Series Fast-Attach® muzzle device is designed to make the mission safer. Our Warden blast regulator is a perfect example. The Warden directs concussive muzzle blast forward rather than out of the side of a muzzle brake, reducing dust signature. It's perfect when firing prone in sand or dirt.



Shooting with SureFire Warden

Without SureFire Warden



SUPPRESSOR ADAPTER



SFMB

PROVEN IN COMBAT, PROVEN IN COMPETITION

- + Models with 7.62 and larger bore diameter feature neutral porting so brake loads bipod legs evenly
- + 5.56 mm models feature offset porting so rifle tracks straight back
- + Multiple bearing surfaces for superior suppressor alignment

See Adapters chart in Specifications section for available models & NSN



PROCOMP

MUZZLE BRAKE STAND-ALONE (NON-SOCOM ADAPTER)

- + Eliminates up to 50% rearward thrust
- + Nitride QPQ coating provides maximum protection against harsh environmental conditions and facilitates cleaning after extreme use

NOTE: Cannot be used as mount for SOCOM Series suppressors

PROCOMP-556-1/2-28
PROCOMP-762-5/8-24



WARDEN

FAST-ATTACH BLAST REGULATOR

- + Directs concussion muzzle blast forward, mitigating dust signatures when the weapon is fired from prone position

NOTE: To be used with SOCOM Series muzzle devices



Direct Thread Mounting



WARDEN ^{NEW}

THREAD-ON BLAST REGULATOR

- + Not an NFA device. The WARDEN can be purchased without any restrictions associated with suppressors

WARDEN-1/2-28-BK
WARDEN-5/8-24-BK

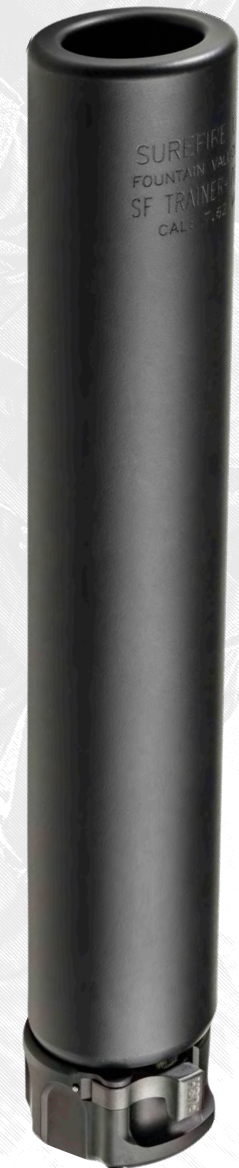
TRAINING DEVICES

SureFire offers multiple training devices to meet the needs of military and law enforcement agencies. These devices closely duplicate the weight, length, and feel of equivalent SureFire sound suppressors. SureFire Blank Firing Adapters allow for realistic training using blank ammunition. SureFire Blank Safety Devices go a step further with their ability to safely contain up to three inadvertently fired rounds of M855 ammunition without injuring the shooter or others. Our proprietary Fast-Attach® mechanism allows for secure attachment or removal of either device, with no tools required.

SureFire Suppressor Trainers also mimic the length, weight, and attachment of their effective SOCOM556 or SOCOM762 RC/RC2 equivalents. These products are intended for use with marking cartridges (e.g. Simunition® FX®), training ammunition (e.g. SRTA), frangible and live ammunition in a training environment. SureFire Suppressor Trainers are made from stainless steel with a Cerakote finish. They provide no sound reduction and therefore are not restricted items.

» Contact a SureFire customer service representative before ordering to ensure compatibility with your weapon system and intended application

TRAIN LIKE YOU FIGHT



BLANK FIRING ADAPTER (BFA)

FIRING ADAPTER - SAFER AND REALISTIC FOR WEAPONS TRAINING

- + Identical size and weight of SureFire SOCOM suppressors
- + For use with blank ammunition weapons training only
- + BFA can come in any color required by contract and can be optimized for specific weapon types

SF-BFA-556
NSN: 1005-01-608-7572
SF-BFA-762
NSN: 1005-01-608-7566

BLANK SAFETY DEVICE (BSD)

FIRING ADAPTER - SAFER AND REALISTIC FOR WEAPONS TRAINING

- + Unlike the BFA, the BSD can trap up to three negligently fired live rounds and releases a loud blast to alert those in the area that a live round has been fired
- + BSD can come in any color required by contract and can be optimized for specific weapon types

SF-BSD-556
SF-BSD-556-M4
NSN: 1005-01-660-6656

SF TRAINER-556

TRAINING AIDS

- + Designed at the request of USSOCOM
- + Imitates the length and weight of SureFire SOCOM 556-RC/ 556-RC2 suppressors
- + To be used in training with marking cartridges

SF-TRAINER-556-1-BK
SF-TRAINER-556-1-DE

SF TRAINER-762

TRAINING AIDS

- + Designed at the request of USSOCOM
- + Imitates the length and weight of SureFire SOCOM 762-RC/ 762-RC2 suppressors
- + To be used in training with marking cartridges

SF-TRAINER-762-1-BK
SF-TRAINER-762-1-DE

ACCESSORIES

PREPARE TO PREVAIL

There's more to being combat-ready than adding a suppressor or a tactical light to your rifle. That's why SureFire continues to offer combat-proven solutions to enhance the capabilities of our warfighters and peacekeepers.

SureFire 60-round high-capacity magazines deliver extra firepower with rock-solid reliability for users of M4/M16/AR-15 variants and other weapons that accept STANAG 4179 magazines. Dueck Defense Rapid Transition Sights seamlessly mount on the upper Picatinny rail of a standard rifle at an offset of 45 degrees to provide trustworthy sights for shooting close-up targets as well as excellent backup sights if needed. And the unique design features of the new SureFire SF-OBC-556 Optimized Bolt Carrier Group will enhance the dependability of any direct-impingement M4/M16/AR-variant carbine or rifle by improving the function of the weapon.

SureFire accessories optimize your weapon for any mission.



OPTIMIZED BOLT CARRIER

OBC

NEW

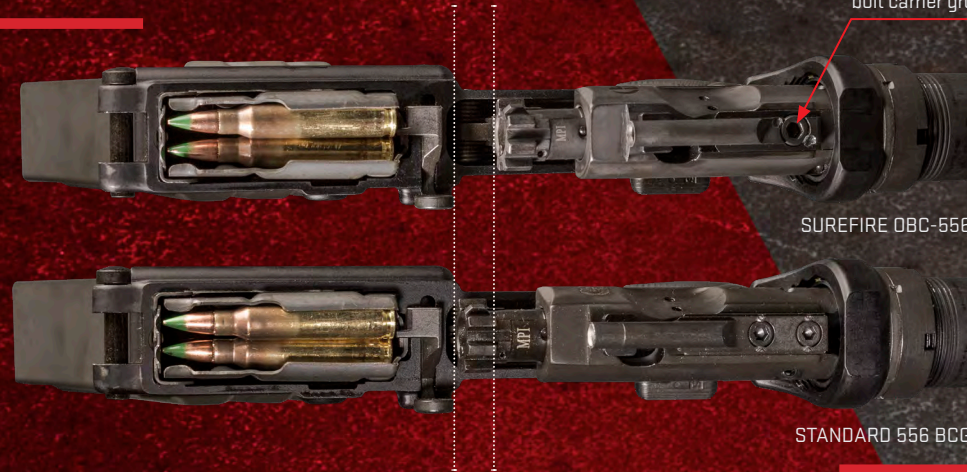
FOR USE IN DIRECT-IMPINGEMENT M4 / M16 / AR-VARIANT CARBINES
OPTIMIZED FOR 5.56 MM / .223 CALIBER RIFLES

Designed to delay unlocking of bolt during firing sequence, which allows bullets to feed properly, providing the ultimate in reliability and function compared to that of a standard AR-15 bolt carrier group

ELONGATED CAM SLOT

10/32" GAS KEY BOLT

SELF-LUBRICATING COATING



ELIMINATE MALFUNCTIONS & DOUBLE RELIABILITY

Invented by the legendary Jim Sullivan, the designer of the M16, the SureFire Optimized Bolt Carrier (OBC) improves functioning of the weapon system during both unsuppressed and suppressed firing. Its proprietary design makes numerous improvements to the standard Mil-Spec full-auto bolt carrier group by allowing more time for the reliable feeding of ammunition from the magazine, while nearly eliminating bolt-over-base malfunctions. The OBC also delays unlocking of the bolt during the firing sequence, which allows expanding gases more time to exit the bore, in turn reducing back-pressure.

NEUTRALLY BALANCED COUNTERWEIGHT

SUREFIRE'S NEXT-GENERATION BOLT CARRIER GROUP

- » Long-stroke design delivers 60% more travel beyond the magazine, increasing magazine feed time and reducing the chance of bolt-over-base malfunctions
- » Dual-spring dwell weight significantly delays bolt carrier direction-change for increased reliability
- » Improved cam path delays bolt unlocking for a 15% decrease in chamber pressure before unlocking
- » Self-lubricating coatings reduce friction for consistent, dependable operation in the most adverse conditions
- » Includes optimized bolt carrier, buffer spring and proprietary long-stroke, H-weight buffer
- » 10/32" gas key bolt provides more than double the shear strength of two Mil-Spec screws



DUECK DEFENSE RAPID TRANSITION SIGHTS

NEVER LOSE SIGHT

Enhance the performance of your M4/M16/AR15 variant with Dueck Defense Rapid Transition Sights. Designed by former Marine and national 3-gun champion Barry Dueck, their low-profile sight design easily mounts to the upper Picatinny rail of the rifle at an offset of 45 degrees to provide a secondary sighting system for close-range target acquisition or as backup iron sights that are easy to transition to from with primary iron sights and/or optics. Available in right-hand or left-hand versions, they are optimized for close-up target shooting. Dueck Defense Sights are individually handcrafted of premium-quality materials and made in the USA.

THREE MODELS AVAILABLE:

DD-RTS-SET: Iron sights

DD-RTS-TRITIUM: Features a Tritium dot on front sight

DD-RTS-FO: Features a red fiber optic front sight post



DD-RTS-SET



DD-RTS-TRITIUM



DD-RTS-FO

FEATURES

- + Ultimate backup sight
- + Ultra-durable: machined from 7075 aluminum alloy bar stock, light-weight and twice the strength of 6061 T6 aluminum
- + Mil-Spec hard-anodized finish
- + Mounts directly to the top Picatinny rail of your rifle at a 45° offset
- + Same height above bore as standard M4 / M16A4 sights
- + Low-profile design will not interfere with primary optic, only rising 2/10th of an inch over Picatinny rail
- + Compatible with military infrared laser/illuminators, front sight designed to clear beam path
- + Will never fog up
- + 1/2 MOA elevation/windage adjustments
- + Right-handed and left-handed versions are available
- + No special tools required; mounts using a flat-head screwdriver
- + Trijicon and fiber optic installation available
- + Manufacturer is ISO9001:2000 Certified

60-ROUND HIGH-CAPACITY MAGAZINE



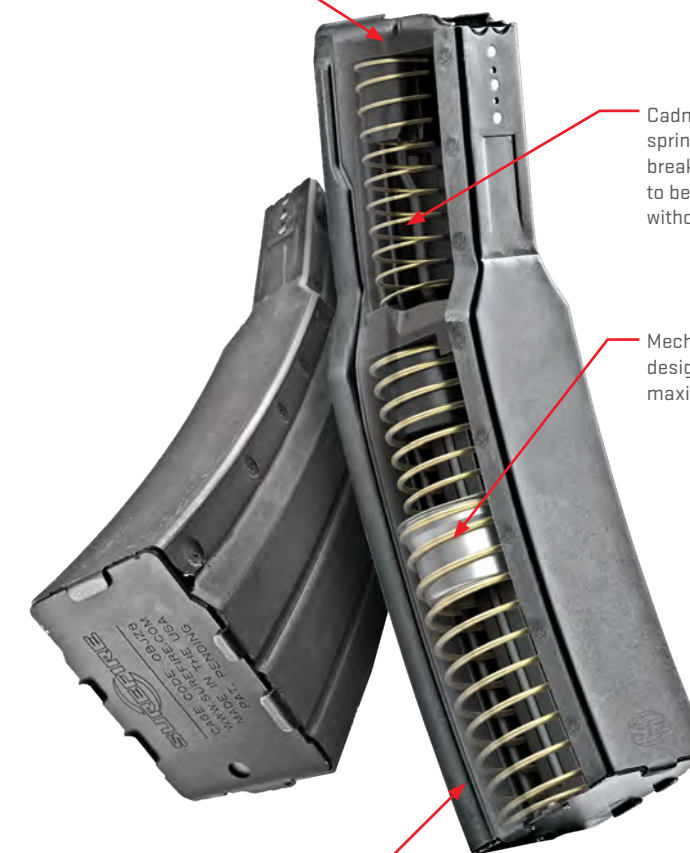
MAG5-60

NSN: 1005-01-611-2183

The first 30 seconds of contact are key to a successful outcome. If you're reloading, you're not in the fight. SureFire's 60-round high-capacity magazines deliver more rounds downrange with fewer reloads. Twice the violence of action. Half the required reloads. Meets STANAG 4179 specifications. Easy, tool-less disassembly; fits in most dual-mag pouches.

“THE FASTEST RELOAD IS THE ONE THAT NEVER HAPPENS.”

Nesting polymer followers ensure smooth feeding



Cadmium-coated springs prevent binding, breakage & allow mag to be kept loaded without spring fatigue

Mechanically simple design provides maximum reliability

Rugged Mil-Spec hard-anodized aluminum construction



A SureFire High-Capacity Magazine is only 1.66" thick, less than two standard 30-round mags clipped together

BATTERIES PIONEERING ENERGY



SUPERIOR POWER & RELIABILITY

Our relentless pursuit of more powerful and more compact tactical illumination tools has at times led us down uncharted paths. That's definitely true with SureFire's battery technology, where we have helped lead the trend toward greater energy density. In fact, we not only pioneered the use of compact 123A lithium batteries in our high-performance lights, we provided the battery industry with a critical solution that improved the 123A's utility.

We have since developed SureFire-brand batteries to become the definitive power source for our illumination tools. Our LF 123A (lithium ion phosphate) and 18650B models offer the power you need with ease, convenience and earth-friendly recharge capability. Our venerable 123A and 18650 lithium-ion batteries also deliver superior power density and voltage maintenance compared to alkaline batteries for consistent, reliable performance over a wider environmental temperature range.

With built-in heat/fault protection and a 10-year shelf life, our batteries are as reliable as the SureFire products they power.

COUNTERFEIT AND INFERIOR-QUALITY BATTERY WARNING ⚠

WARNING: Do not use batteries purchased from online auctions and other websites not authorized by SureFire. These are known sources of counterfeit and inferior-quality imported batteries, which pose a serious safety hazard. Counterfeit and inferior batteries have been reported to have caused fires and/or explosions, resulting in property damage and personal injury.

SureFire-brand disposable batteries are manufactured in the U.S. to strict quality standards for use in high-drain devices and contain built-in fault and heat protections for added safety. Their use will ensure that your warranty is not voided. You may also use batteries from well-known brands, such as Panasonic*, Energizer*, and Duracell*, which are also manufactured to high standards.

To protect against these dangers, consumers should only purchase SureFire-brand batteries directly from SureFire at www.surefire.com or from authorized SureFire dealers found at www.surefire.com/dealer-locator.

* MADE IN USA only applies to 123A batteries. Does not apply to any others.
*Panasonic is a registered trademark of Panasonic Corporation; Energizer is a trademark of Eveready Battery Company, Inc; and Duracell is a trademark of the Gillette Company.



SF18650B NEW LITHIUM-ION RECHARGEABLE BATTERY

- + High-performance protected 3.6V 18650 lithium-ion rechargeable battery with micro-USB port for ease of charging
- + Can also be charged with any compatible external cradle charger

SF18650B



+ SF18650B shown with supplied micro-USB charging cable



MADE IN USA

123A A POWER SOURCE FAR SUPERIOR TO ALKALINE BATTERIES

- + 10-year shelf life
- + Wide temperature tolerance

SF12-BB
NSN: 6135-01-351-1131



SF2R-CB LFP 123A RECHARGEABLE BATTERIES

- + Lithium iron phosphate rechargeable batteries
- + Safe and cost efficient

SF2R-CB



SC1 123A SPARE BATTERY CARRIER

- + Impact-resistant
- + O-ring sealed, watertight

SC1
NSN: 6240-01-532-4209



SF2R CHARGING KIT LITHIUM IRON PHOSPHATE RECHARGEABLE BATTERIES & CHARGER

- + AC adapter with international compatibility
- + 12V car plug for on-the-road charging

SF2R-CHARGEKIT02

HEARING PROTECTION

DEAFNESS IS SOMETHING YOU CAN'T HEAR COMING

Without ear protection, you're blasting your ears with around 100 dB of harmful noise every time you pull your weapon's trigger. That concussive energy shocks the ear drum, damaging the tiny hair-like structures that convert energy into electrical impulses that the brain perceives as sound. Repeated exposure to any sound above 85 dB can result in permanent hearing loss – and when it's gone, it's gone.

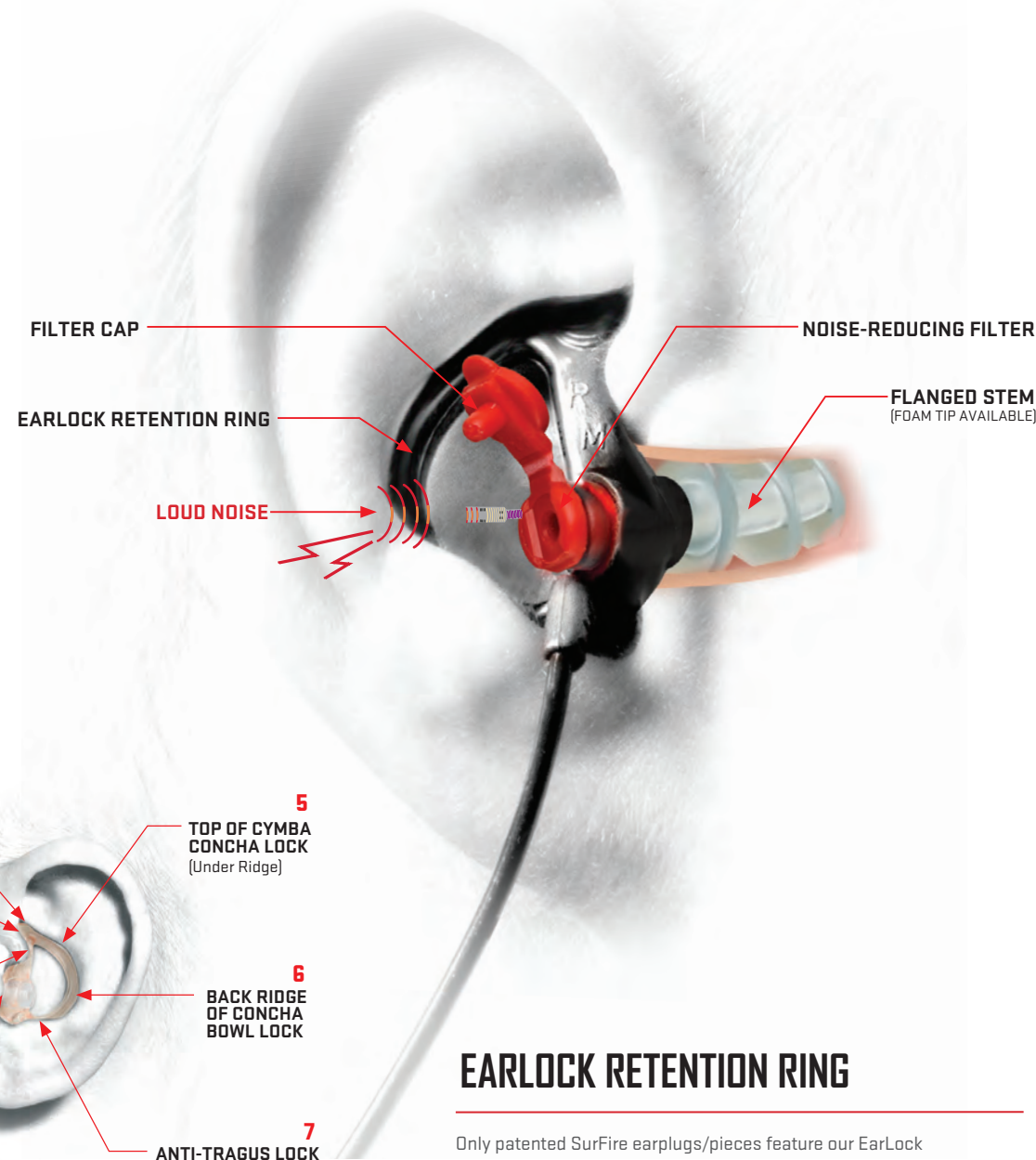
SureFire EarPro® earplugs employ superior technology to prevent hearing loss. Our noise-reducing filters are engineered for significant reduction of constant noise, such as the perpetual roar of industrial machinery, and impulse noise, such as an unsuppressed gunshot or explosion. Choose from two styles: full block – for maximum protection on the range – or filtered, to combat harmful noise while still allowing clear recognition of tactical communication and ambient sounds. Our filter caps can also be snapped in the closed position for maximum noise attenuation.

The top choice for everyone from tactical professionals to industrial workers, our EarPro technology speaks for itself, loud and clear.



EARPRO® TECHNOLOGY

PROPRIETARY EARLOCK® RETENTION RINGS & NOISE-REDUCING FILTERS



EARLOCK RETENTION RING

Only patented SureFire earplugs/pieces feature our EarLock retention ring, which locks the earplug/piece in place with the seven "grab points."

FEATURES

- + EarPro protects against both constant and impulse noise
- + With Noise Reduction Ratings (NRR) ranging from 11dB to 30dB, harmful sound is reduced to safer levels
- + EarLock retention rings lock the earplug/piece in place with seven "grab points"
- + Flanged stems or foam tips provide all-day comfort
- + Cost-effective reusable choice over disposable earplugs
- + Filter can be snapped closed for maximum NRR/ Impulse Attenuation
- + Noise-reducing filters lower harmful sound levels while allowing conversations to be heard
- + Convenient carrying case and retention lanyard included

ACCESSORIES



UAC

UNIVERSAL ACOUSTIC COUPLER

- + A durable and highly effective, high-strength polymer interface that brings communication and non-electronic hearing protection together
- + Built to accept modern acoustic hearing tubes
- + Two-position cap; provides situational awareness and accommodates two-way radio communication in open position
- + Cap can be closed, without removing EarPro, to maintain highest level of hearing protection
- + Designed to fit either left or right SureFire EarPro without compromising the filter or the radio acoustic tubing

Z-90263



EA10-UAC-ST NEW

UNIVERSAL ACOUSTIC COUPLER KIT

- + Kit includes: UAC coupler, earpiece tubing
- + The world's only non-electronic, filtered, hearing protection that integrates any two-way radio.

EA10-UAC-ST

"THE UAC BRINGS COMMUNICATION AND NON-ELECTRONIC HEARING PROTECTION TOGETHER"



EARLOCKS®

EARBUD ATTACHMENTS

- + ELU1: Fit original Apple® and most circular earbuds
- + ELA2: Compatible with Apple® Earpods™



*Apple is a trademark of Apple Inc., registered in the U.S. and other countries.

FILTERED SERIES



EP3 SONIC DEFENDERS® FILTERED, DOUBLE-FLANGED EARPLUGS

OPEN / CLOSE
11/24 dB
NRR RATINGS

OPEN / CLOSE
18/26 dB
SNR RATINGS



- + Double-flanged stem is ideal for shallow ear canals
- + Special noise-reducing filters; open to hear ambient conversations or closed for complete noise blocking
- + Can be used in water

BLACK
EP3-BK-SPR (SMALL)
EP3-BK-MPR (MEDIUM)
EP3-BK-LPR (LARGE)

CLEAR
EP3-SPR (SMALL)
EP3-MPR (MEDIUM)
EP3-LPR (LARGE)

See Specifications Section for NSN information



EP4 SONIC DEFENDERS® PLUS FILTERED, TRIPLE-FLANGED EARPLUGS

OPEN / CLOSE
12/24 dB
NRR RATINGS

OPEN / CLOSE
19/27 dB
SNR RATINGS



- + Triple-flanged stem is ideal for deep ear canals
- + Special noise-reducing filters; open to hear ambient conversations or closed for complete noise blocking
- + Can be used in water

BLACK
EP4-BK-SPR (SMALL)
EP4-BK-MPR (MEDIUM)
EP4-BK-LPR (LARGE)

ORANGE
EP4-OR-MPR (MEDIUM)

CLEAR
EP4-SPR (SMALL)
EP4-MPR (MEDIUM)
EP4-LPR (LARGE)

See Specifications Section for NSN information



EP7 SONIC DEFENDERS® ULTRA FILTERED, FOAM-TIPPED EARPLUGS

OPEN / CLOSE
14/28 dB
NRR RATINGS

OPEN / CLOSE
20/32 dB
SNR RATINGS

- + Memory-foam Comply® Canal Tips conform to ear canal with an NRR of 28 dB
- + Special noise-reducing filters; open to hear ambient conversations or close for complete noise blocking



Replacement memory-foam tips available

EP7-COMPLY-ST-3LPR
EP7-COMPLY-ST-3MPR
EP7-COMPLY-ST-3SPR

BLACK
EP7-BK-SPR (SMALL)
EP7-BK-MPR (MEDIUM)
EP7-BK-LPR (LARGE)

CLEAR
EP7-MPR (MEDIUM)

See Specifications Section for NSN information

FULL-BLOCK SERIES

EP5 SONIC DEFENDERS® MAX

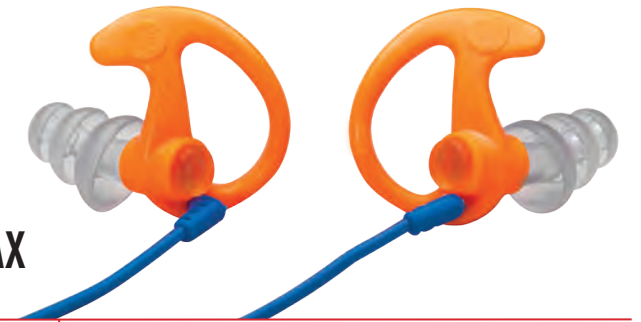
FULL-BLOCK, TRIPLE-FLANGED EARPLUGS

26 dB
NRR RATINGS

31 dB
SNR RATINGS



- + Triple-flanged stem is ideal for deep ear canals
- + High-level, full-block hearing protection
- + Can be used in water



BLACK
EP5-BK-SPR (SMALL)
EP5-BK-MPR (MEDIUM)
EP5-BK-LPR (LARGE)

ORANGE
EP5-OR-MPR (MEDIUM)

EP10 SONIC DEFENDERS® ULTRA MAX

FULL-BLOCK, FOAM-TIPPED EARPLUGS

30 dB
NRR RATINGS

29 dB
SNR RATINGS



Replacement
memory-foam tips
available

- + High-level, full-block hearing protection
- + Memory-foam Comply® Canal Tips conform to ear canal with an NRR of 30 dB
- + All-day comfort

BLACK
EP10-BK-SPR (SMALL)
EP10-BK-MPR (MEDIUM)
EP10-BK-LPR (LARGE)

ORANGE
EP10-OR-SPR (SMALL)
EP10-OR-MPR (MEDIUM)
EP10-OR-LPR (LARGE)

CLEAR
EP10-SPR (SMALL)
EP10-MPR (MEDIUM)
EP10-LPR (LARGE)



SUREFIRE SONIC DEFENDERS ARE ENGINEERED FOR SIGNIFICANT REDUCTION OF CONSTANT NOISE, AND IMPULSE NOISE.

APPAREL GEAR UP

▶▶▶ "STAND FOR SOMETHING
OR STEP ASIDE"



FOR THE LATEST & GREATEST SF GEAR ▶▶▶
WWW.SUREFIRE.COM/APPAREL

WEAPONLIGHTS & ACCESSORIES

PART #	UPC	OUTPUT	RUNTIME	PEAK BEAM INTENSITY	BEAM DISTANCE
328LMF-B	084871328135	500 lumens	1.0 hours	7,600 candela	175 meters
618LMG-B	084871328128	1,000 lumens	1.25 hours	10,600 candela	200 meters
623LMG-B	084871328159	1,000 lumens	1.25 hours	10,600 candela	200 meters
628LMF-B	084871328142	1,000 lumens	1.25 hours	10,600 candela	200 meters
DSF-500/590	084871321020	High: 600 Low: 200 lumens	High: 1.5 Low: 3 hours	13,000 candela	225 meters
DSF-870	084871321006	High: 600 Low: 200 lumens	High: 1.5 Low: 3 hours	13,000 candela	225 meters
HF4A KIT01	084871316477	High: 3,000 Low: 1,000 lumens	Internal: 30 min Vehicle: continuous	590,000 candela	1,536 meters
HF4A KIT02	084871316972	High: 3,000 Low: 1,000 lumens	Internal: 30 min Vehicle: continuous	590,000 candela	1,536 meters
M300C-Z68-BK	084871324670	500 lumens	1.0 hours	7,600 candela	175 meters
M300C-Z68-TN	084871327107	500 lumens	1.0 hours	7,600 candela	175 meters
M300V-B-Z68-BK	084871325325	WH: 250 lumens IR: 100 mW / 860 nm	WH: 1.5 hours IR: 6 hours	9,300 candela	138 meters
M300V-B-Z68-TN	084871327114	WH: 250 lumens IR: 100 mW / 860 nm	WH: 1.5 hours IR: 6 hours	9,300 candela	138 meters
M312C-BK	084871326124	500 lumens	1.0 hours	7,600 candela	175 meters
M312V-BK	084871326810	WH: 250 lumens IR: 100 mW / 860 nm	WH: 1.5 hours IR: 6 hours	9,300 candela	138 meters
M313V-BK	084871326773	WH: 250 lumens IR: 100 mW / 860 nm	WH: 1.5 hours IR: 6 hours	9,300 candela	138 meters
M322C-BK	084871326155	500 lumens	1.0 hours	7,600 candela	175 meters
M322V-BK	084871327152	WH: 250 lumens IR: 100 mW / 860 nm	WH: 1.5 hours IR: 6 hours	9,300 candela	138 meters
M322V-TN	084871327169	WH: 250 lumens IR: 100 mW / 860 nm	WH: 1.5 hours IR: 6 hours	9,300 candela	138 meters
M323V-BK	084871327893	WH: 250 lumens IR: 100 mW / 860 nm	WH: 1.5 hours IR: 6 hours	9,300 candela	138 meters
M323V-TN	084871327909	WH: 250 lumens IR: 100 mW / 860 nm	WH: 1.5 hours IR: 6 hours	9,300 candela	138 meters
M600DF-BK	084871326872	18650: 1,500 123A: 1,200 lumens	18650: 1.5 123A: 1.25 hours	18650: 16,000 123A: 12,800 candela	18650: 250 123A: 220 meters
M600DF-TN	084871327145	18650: 1,500 123A: 1,200 lumens	18650: 1.5 123A: 1.25 hours	18650: 16,000 123A: 12,800 candela	18650: 250 123A: 220 meters
M600IB-Z68-BK	084871325745	High: 600 Low: 100 lumens	High: 1.5 Low: 5 hours	14,750 candela	243 meters
M600U-Z68-BK	084871323802	1,000 lumens	1.25 hours	11,300 candela	213 meters
M600U-Z68-TN	084871327084	1,000 lumens	1.25 hours	11,300 candela	213 meters
M600V-B-Z68-BK	084871325332	WH: 350 lumens IR: 120 mW / 860 nm	WH: 2.5 hours IR: 16.75 hours	13,000 candela	155 meters
M600V-B-Z68-TN	084871327091	WH: 350 lumens IR: 120 mW / 860 nm	WH: 2.5 hours IR: 16.75 hours	13,000 candela	155 meters
M603V-BK	084871326322	WH: 350 lumens IR: 120 mW / 860 nm	WH: 2.5 hours IR: 16.75 hours	13,000 candela	155 meters
M603V-TN	084871326315	WH: 350 lumens IR: 120 mW / 860 nm	WH: 2.5 hours IR: 16.75 hours	13,000 candela	155 meters
M611V-BK	084871327053	WH: 350 lumens IR: 120 mW / 860 nm	WH: 2.5 hours IR: 16.75 hours	13,000 candela	155 meters
M612U-BK	084871326100	1,000 lumens	1.25 hours	11,300 candela	213 meters
M612U-TN	084871327657	1,000 lumens	1.25 hours	11,300 candela	213 meters
M612V-BK	084871326117	WH: 350 lumens IR: 120 mW / 860 nm	WH: 2.5 hours IR: 16.75 hours	13,000 candela	155 meters
M613U-BK	084871326995	1,000 lumens	1.25 hours	11,300 candela	213 meters
M613V-BK	084871327008	WH: 350 lumens IR: 120 mW / 860 nm	WH: 2.5 hours IR: 16.75 hours	13,000 candela	155 meters
M622U-BK	084871326131	1,000 lumens	1.25 hours	11,300 candela	213 meters
M622U-TN	084871327664	1,000 lumens	1.25 hours	11,300 candela	213 meters
M622V-BK	084871326148	WH: 350 lumens IR: 120 mW / 860 nm	WH: 2.5 hours IR: 16.75 hours	13,000 candela	155 meters
M622V-TN	084871327176	WH: 350 lumens IR: 120 mW / 860 nm	WH: 2.5 hours IR: 16.75 hours	13,000 candela	155 meters
M623V-BK	084871327879	WH: 350 lumens IR: 120 mW / 860 nm	WH: 2.5 hours IR: 16.75 hours	13,000 candela	155 meters
M623V-TN	084871327886	WH: 350 lumens IR: 120 mW / 860 nm	WH: 2.5 hours IR: 16.75 hours	13,000 candela	155 meters
X300U-A	084871319065	1,000 lumens	1.25 hours	11,300 candela	213 meters
X300U-A-TN	084871320252	1,000 lumens	1.25 hours	11,300 candela	213 meters
X300U-B	084871324939	1,000 lumens	1.25 hours	11,300 candela	213 meters
X300U-B-TN	084871324946	1,000 lumens	1.25 hours	11,300 candela	213 meters
X300V	084871321181	WH: 350 lumens IR: 120 mW / 860 nm	WH: 2.5 hours IR: 16.75 hours	13,000 candela	155 meters
X300V-B	084871325547	WH: 350 lumens IR: 120 mW / 860 nm	WH: 2.5 hours IR: 16.75 hours	13,000 candela	155 meters
X400U-A-GN	084871321198	1,000 lumens / < 5 mW (515 nm)	1.25 hours / 24 hours (laser)	11,300 candela	213 meters
X400U-A-RD	084871321211	1,000 lumens / < 5 mW (635 nm)	1.25 hours / 24 hours (laser)	11,300 candela	213 meters
X400UH-A-GN	084871326421	1,000 lumens / < 5 mW (515 nm)	1.25 hours / 24 hours (laser)	11,300 candela	213 meters
X400UH-A-RD	084871326414	1,000 lumens / < 5 mW (635 nm)	1.25 hours / 24 hours (laser)	11,300 candela	213 meters
X400V-B-IRC	084871325349	WH: 350 lumens IR: 120 mW / < 0.7 mW (850 nm)	WH: 2.5 hours IR: 16.75 hours / 20 hours (laser)	13,000 candela	155 meters
X400VH-B-IRC	084871326605	WH: 350 lumens IR: 120 mW / < 0.7 mW (850 nm)	WH: 2.5 hours IR: 16.75 hours / 20 hours (laser)	13,000 candela	155 meters
XC1-B	084871326988	300 lumens	45 minutes	820 candela	54 meters
XC2-A	084871326575	300 lumens / 5 mW; < 635 nm; Class IIIa	30 minutes	820 candela	54 meters
XC2-A-IRC	084871328036	50mW (850nm) / < 0.7 mW (845 nm) Class I	4 hours	-	> 50 meters
XC2-A-IRC-TN	084871328203	50mW (850nm) / < 0.7 mW (845 nm) Class I	4 hours	-	> 50 meters
XH15	084871326612	350 lumens	1.25 hours	1,200 candela	70 meters

All performance claims tested to ANSI/NEMA FL1-2009 Standard.

CONSTRUCTION	FINISH	WEIGHT	LENGTH	BEZEL DIAMETER	BATTERIES	SWITCHING
Polymer	Mil-Spec Hard Anodized	9.6 oz (272.2 g)	8.14 in (20.6 cm)	1.125 in (2.9 cm)	One 123A lithium (incl.)	Pressure pad + constant-on rocker
Polymer	Mil-Spec Hard Anodized	17.2 oz (487 g)	10.3 in (26 cm)	1.125 in (2.9 cm)	Two 123A lithium (incl.)	Pressure pad + constant-on rocker
Polymer	Mil-Spec Hard Anodized	17.2 oz (487 g)	10.3 in (26 cm)	1.125 in (2.9 cm)	Two 123A lithium (incl.)	Pressure pad + constant-on rocker
Polymer	Mil-Spec Hard Anodized	17.6 oz (499 g)	9.48 in (24 cm)	1.125 in (2.9 cm)	Two 123A lithium (incl.)	Pressure pad + constant-on rocker
Polymer	Mil-Spec Hard Anodized	18.2 oz (516 g)	9.2 in (23.4 cm)	1.37 in (3.47 cm)	Two 123A lithium (incl.)	Momentary - & constant-on pressure switches
Polymer	Mil-Spec Hard Anodized	17.8 oz (504.6 g)	9.2 in (23.4 cm)	1.37 in (3.47 cm)	Two 123A lithium (incl.)	Momentary - & constant-on pressure switches
Aluminum	Mil-Spec Hard Anodized	6.5 lbs (2.95 kg)	11 in (27.9 cm)	4.1 in (10.4 cm)	Integral rechargeable battery & DC power	-
Aluminum	Mil-Spec Hard Anodized	6.5 lbs (2.95 kg)	11 in (27.9 cm)	4.1 in (10.4 cm)	Integral rechargeable battery & DC power	-
Aluminum	Mil-Spec Hard Anodized	4.1 oz (116 g)	4.1 in (10.4 cm)	1.125 in (2.9 cm)	One 123A lithium (incl.)	Click tailcap
Aluminum	Mil-Spec Hard Anodized	4.1 oz (116 g)	4.1 in (10.4 cm)	1.125 in (2.9 cm)	One 123A lithium (incl.)	Click tailcap
Aluminum	Mil-Spec Hard Anodized	4 oz (113.3 g)	4.1 in (10.4 cm)	1.06 in (2.7 cm)	One 123A lithium (incl.)	Click tailcap
Aluminum	Mil-Spec Hard Anodized	4 oz (113.3 g)	4.1 in (10.4 cm)	1.06 in (2.7 cm)	One 123A lithium (incl.)	Click tailcap
Aluminum	Mil-Spec Hard Anodized	5.9 oz (167 g)	4.9 in (12.4 cm)	1.125 in (2.9 cm)	One 123A lithium (incl.)	Click tailcap & momentary tape switch
Aluminum	Mil-Spec Hard Anodized	5.6 oz (159 g)	4.9 in (12.4 cm)	1.06 in (2.7 cm)	One 123A lithium (incl.)	Tape switch / click tailcap
Aluminum	Mil-Spec Hard Anodized	6.4 oz (181 g)	4.9 in (12.4 cm)	1.06 in (2.7 cm)	One 123A lithium (incl.)	Tape switch / click tailcap
Aluminum	Mil-Spec Hard Anodized	6.75 oz (191 g)	4.9 in (12.4 cm)	1.125 in (2.9 cm)	One 123A lithium (incl.)	Tape switch / click tailcap
Aluminum	Mil-Spec Hard Anodized	6.5 oz (184 g)	4.9 in (12.4 cm)	1.06 in (2.7 cm)	One 123A lithium (incl.)	Tape switch / click tailcap
Aluminum	Mil-Spec Hard Anodized	6.5 oz (184 g)	4.9 in (12.4 cm)	1.06 in (2.7 cm)	One 123A lithium (incl.)	Tape switch / click tailcap
Aluminum	Mil-Spec Hard Anodized	7.4 oz (210 g)	4.9 in (12.4 cm)	1.06 in (2.7 cm)	One 123A lithium (incl.)	Tape switch / click tailcap
Aluminum	Mil-Spec Hard Anodized	7.4 oz (210 g)	4.9 in (12.4 cm)	1.06 in (2.7 cm)	One 123A lithium (incl.)	Tape switch / click tailcap
Aluminum	Mil-Spec Hard Anodized	5.15 oz (146 g)	5.56 in (14.1 cm)	1.125 in (2.9 cm)	(1) 18650 (incl.) or (2) 123A lithium	Click tailcap
Aluminum	Mil-Spec Hard Anodized	5.15 oz (146 g)	5.56 in (14.1 cm)	1.125 in (2.9 cm)	(1) 18650 (incl.) or (2) 123A lithium	Click tailcap
Aluminum	Mil-Spec Hard Anodized	6.2 oz (176 g)	5.8 in (14.7 cm)	1.37 in (3.48 cm)	Two 123A lithium (incl.)	Click tailcap
Aluminum	Mil-Spec Hard Anodized	4.8 oz (136 g)	5.5 in (13.9 cm)	1.125 in (2.9 cm)	Two 123A lithium (incl.)	Click tailcap
Aluminum	Mil-Spec Hard Anodized	4.8 oz (136 g)	5.5 in (13.9 cm)	1.06 in (2.7 cm)	Two 123A lithium (incl.)	Click tailcap
Aluminum	Mil-Spec Hard Anodized	4.8 oz (136 g)	5.5 in (13.9 cm)	1.06 in (2.7 cm)	Two 123A lithium (incl.)	Click tailcap
Aluminum	Mil-Spec Hard Anodized	7 oz (198 g)	6.2 in (15.75 cm)	1.06 in (2.7 cm)	Two 123A lithium (incl.)	Tape switch / click tailcap
Aluminum	Mil-Spec Hard Anodized	7 oz (198 g)	6.2 in (15.75 cm)	1.06 in (2.7 cm)	Two 123A lithium (incl.)	Tape switch / click tailcap
Aluminum	Mil-Spec Hard Anodized	4.25 oz (120 g)	5.27 in (13.38 cm)	1.06 in (2.7 cm)	Two 123A lithium (incl.)	Tape switch / click tailcap
Aluminum	Mil-Spec Hard Anodized	6.6 oz (188 g)	6.2 in (15.75 cm)	1.125 in (2.9 cm)	Two 123A lithium (incl.)	Tape switch / click tailcap
Aluminum	Mil-Spec Hard Anodized	6.6 oz (188 g)	6.2 in (15.75 cm)	1.125 in (2.9 cm)	Two 123A lithium (incl.)	Tape switch / click tailcap
Aluminum	Mil-Spec Hard Anodized	6.5 oz (184 g)	6.13 in (15.6 cm)	1.06 in (2.7 cm)	Two 123A lithium (incl.)	Tape switch / click tailcap
Aluminum	Mil-Spec Hard Anodized	7.5 oz (213 g)	6.2 in (15.75 cm)	1.125 in (2.9 cm)	Two 123A lithium (incl.)	Tape switch / click tailcap
Aluminum	Mil-Spec Hard Anodized	7.25 oz (206 g)	6.13 in (15.6 cm)	1.06 in (2.7 cm)	Two 123A lithium (incl.)	Tape switch / click tailcap
Aluminum	Mil-Spec Hard Anodized	7.5 oz (213 g)	6.2 in (15.75 cm)	1.125 in (2.9 cm)	Two 123A lithium (incl.)	Tape switch / click tailcap
Aluminum	Mil-Spec Hard Anodized	7.5 oz (213 g)	6.2 in (15.75 cm)	1.125 in (2.9 cm)	Two 123A lithium (incl.)	Tape switch / click tailcap
Aluminum	Mil-Spec Hard Anodized	7.4 oz (209 g)	6.13 in (15.6 cm)	1.06 in (2.7 cm)	Two 123A lithium (incl.)	Tape switch / click tailcap
Aluminum	Mil-Spec Hard Anodized	7.4 oz (209 g)	6.13 in (15.6 cm)	1.06 in (2.7 cm)	Two 123A lithium (incl.)	Tape switch / click tailcap
Aluminum	Mil-Spec Hard Anodized	8.2 oz (232 g)	6.13 in (15.6 cm)	1.06 in (2.7 cm)	Two 123A lithium (incl.)	Tape switch / click tailcap
Aluminum	Mil-Spec Hard Anodized	8.2 oz (232 g)	6.13 in (15.6 cm)	1.06 in (2.7 cm)	Two 123A lithium (incl.)	Tape switch / click tailcap
Aluminum	Mil-Spec Hard Anodized	4.0 oz (113 g)	3.6 in (9.1 cm)	1.125 in (2.9 cm)	Two 123A lithium (incl.)	Ambidextrous push/toggle
Aluminum	Mil-Spec Hard Anodized	4.0 oz (113 g)	3.6 in (9.1 cm)	1.125 in (2.9 cm)	Two 123A lithium (incl.)	Ambidextrous push/toggle
Aluminum	Mil-Spec Hard Anodized	4.1 oz (116 g)	3.6 in (9.1 cm)	1.125 in (2.9 cm)	Two 123A lithium (incl.)	Ambidextrous push/toggle
Aluminum	Mil-Spec Hard Anodized	4.1 oz (116 g)	3.6 in (9.1 cm)	1.125 in (2.9 cm)	Two 123A lithium (incl.)	Ambidextrous push/toggle
Aluminum	Mil-Spec Hard Anodized	4.0 oz (113 g)	4.0 in (10.0 cm)	1.06 in (2.7 cm)	Two 123A lithium (incl.)	Ambidextrous push/toggle
Aluminum	Mil-Spec Hard Anodized	4.0 oz (113 g)	4.0 in (10.0 cm)	1.06 in (2.7 cm)	Two 123A lithium (incl.)	Ambidextrous push/toggle
Aluminum	Mil-Spec Hard Anodized	4.9 oz (139 g)	3.6 in (9.1 cm)	1.125 in (2.9 cm)	Two 123A lithium (incl.)	Ambidextrous push/toggle
Aluminum	Mil-Spec Hard Anodized	4.9 oz (139 g)	3.6 in (9.1 cm)	1.125 in (2.9 cm)	Two 123A lithium (incl.)	Ambidextrous push/toggle
Aluminum	Mil-Spec Hard Anodized	4.9 oz (139 g)	3.7 in (9.4 cm)	1.25 in (3.175 cm)	Two 123A lithium (incl.)	Ambidextrous push/toggle
Aluminum	Mil-Spec Hard Anodized	4.9 oz (139 g)	3.7 in (9.4 cm)	1.25 in (3.175 cm)	Two 123A lithium (incl.)	Ambidextrous push/toggle
Aluminum	Mil-Spec Hard Anodized	4.9 oz (139 g)	4.0 in (10.1 cm)	1.06 in (2.7 cm)	Two 123A lithium (incl.)	Ambidextrous push/toggle
Aluminum	Mil-Spec Hard Anodized	5.7 oz (162 g)	4.0 in (10.1 cm)	1.25 in (3.175 cm)	Two 123A lithium (incl.)	Ambidextrous push/toggle
Aluminum	Mil-Spec Hard Anodized	1.6 oz (45.4 g)	2.375 in (6 cm)	.375 in (0.95 cm)	One AAA rechargeable NiMH (incl.)	Ambidextrous momentary/constant; Constant Push through
Aluminum	Mil-Spec Hard Anodized	2.1 oz (59.5 g)	2.46 in (6.25 cm)	.375 in (0.95 cm)	One AAA rechargeable NiMH (incl.)	Ambidextrous momentary/constant; Constant Push through
Aluminum	Mil-Spec Hard Anodized	1.8 oz (51 g)	2.46 in (6.25 cm)	.375 in (0.95 cm)	One AAA rechargeable NiMH (incl.)	Ambidextrous momentary/constant; Constant Push through
Aluminum	Mil-Spec Hard Anodized	1.8 oz (51 g)	2.46 in (6.25 cm)	.375 in (0.95 cm)	One AAA rechargeable NiMH (incl.)	Ambidextrous momentary/constant; Constant Push through
Polymer / Aluminum	Mil-Spec Hard Anodized	4.2 oz (119 g)	3.78 in (9.6 cm)	1.25 in (3.175 cm)	One 123A lithium	

SUPPRESSORS & ACCESSORIES

PART #	UPC	CALIBER	CONSTRUCTION	COATING	DIAMETER	LENGTH	WEIGHT
SF-TRAINER-556-1-BK	084871326360	5.56 mm	Stainless Steel	DLC and Cerakote™ Finish	1.5 in (3.8 cm)	6.2 in (15.7 cm)	15.9 oz (452 g)
SF-TRAINER-556-1-DE	084871326377	5.56 mm	Stainless Steel	DLC and Cerakote™ Finish	1.5 in (3.8 cm)	6.2 in (15.7 cm)	15.9 oz (452 g)
SF-TRAINER-762-1-BK	084871326384	7.62 mm	Stainless Steel	DLC and Cerakote™ Finish	1.5 in (3.8 cm)	8.4 in (21.3 cm)	19.5 oz (552 g)
SF-TRAINER-762-1-DE	084871326391	7.62 mm	Stainless Steel	DLC and Cerakote™ Finish	1.5 in (3.8 cm)	8.4 in (21.3 cm)	19.5 oz (552 g)
SF-TRAINER-762MG-BK	084871327817	7.62 mm	Stainless Steel	DLC and Cerakote™ Finish	1.5 in (3.8 cm)	9.3 in (23.6 cm)	29 oz (822 g)
SF-TRAINER-762MG-DE	084871327824	7.62 mm	Stainless Steel	DLC and Cerakote™ Finish	1.5 in (3.8 cm)	9.3 in (23.6 cm)	29 oz (822 g)
SF-BSD-556-M4	084871326216	5.56 mm	Stainless Steel & Aluminum	DLC and Cerakote™ Finish	1.5 in (3.8 cm)	6.2 in (15.7 cm)	17.0 oz (482 g)
SF-BSD-556	084871323758	5.56 mm	Stainless Steel & Aluminum	DLC and Cerakote™ Finish	1.5 in (3.8 cm)	6.2 in (15.7 cm)	16.0 oz (454 g)
SF-BFA-556	084871319706	5.56 mm	Stainless Steel & Aluminum	DLC and Cerakote™ Finish	1.5 in (3.8 cm)	6.2 in (15.7 cm)	17.3 oz (490 g)
SF-BFA-762	084871319713	7.62 mm	Stainless Steel & Aluminum	DLC and Cerakote™ Finish	1.5 in (3.8 cm)	8.4 in (21.3 cm)	18.9 oz (535 g)
SF-BFA-762MG-M240	084871327923	7.62 mm Blanks	Heat-treated Stainless Steel	DLC and Cerakote™ Finish	1.6 in (4.0 cm)	4.8 in (12.1 cm)	21.7 oz (615 g)
SF RYDER 22-S	084871318679	.22 LR/17 HMR/.22 WMR	Stainless Steel & Aluminum	Mil-Spec Hard Anodized	1.0 in (2.5 cm)	5.4 in (13.7 cm)	5 oz (141 g)
SF RYDER 9-MP5	084871326070	9 mm	Heat Treated Stainless Steel	DLC and Cerakote™ Finish	1.3 in (3.3 cm)	8 in (20.3 cm)	16 oz (453 g)
SF RYDER 9-TI2-1/2-28-BK	084871328500	9 mm	Titanium Alloy & Stainless Steel	Cerakote™ Finish	1.25 in (3.2 cm)	7.8 in (19.8 cm)	10 oz (283 g)
SF RYDER 9-TI2-1/2-28-DE	084871328517	9 mm	Titanium Alloy & Stainless Steel	Cerakote™ Finish	1.25 in (3.2 cm)	7.8 in (19.8 cm)	10 oz (283 g)
SF RYDER 9-TI2-M13.5X1 LH-BK	084871328524	9 mm	Titanium Alloy & Stainless Steel	Cerakote™ Finish	1.25 in (3.2 cm)	7.8 in (19.8 cm)	10 oz (283 g)
SF RYDER 9M-TI-1/2-28-BK	084871325660	9 mm	Titanium Alloy & Stainless Steel	Cerakote™ Finish	1.25 in (3.2 cm)	5.9 / 7.9 in (14.9 / 20 cm)	9 / 11 oz (255 / 311 g)
SF RYDER 9M-TI-1/2-28-DE	084871325677	9 mm	Titanium Alloy & Stainless Steel	Cerakote™ Finish	1.25 in (3.2 cm)	5.9 / 7.9 in (14.9 / 20 cm)	9 / 11 oz (255 / 311 g)
SF RYDER 9M-TI-M13.5X1 LH-BK	084871325691	9 mm	Titanium Alloy & Stainless Steel	Cerakote™ Finish	1.25 in (3.2 cm)	5.9 / 7.9 in (14.9 / 20 cm)	9 / 11 oz (255 / 311 g)
PISTON-9-1/2X28	084871325561	9 mm	Heat-treated Stainless Steel	Nitride Finish	-	-	-
PISTON-9-1/2X32	084871327442	9 mm	Heat-treated Stainless Steel	Nitride Finish	-	-	-
PISTON-9-1/2X36	084871327015	9 mm	Heat-treated Stainless Steel	Nitride Finish	-	-	-
PISTON-9-M13X1	084871327435	9 mm	Heat-treated Stainless Steel	Nitride Finish	-	-	-
PISTON-9-M13.5X1LH	084871325578	9 mm	Heat-treated Stainless Steel	Nitride Finish	-	-	-
SF-SPCR-9	084871326179		Carbine Spacer for RYDER 9Ti and RYDER 9M-Ti				
SOCOM260-RC2-BK	084871327718	6 mm / 6.5 mm / .260	High-Temp Alloy & Stainless Steel	DLC and Cerakote™ Finish	1.5 in (3.8 cm)	8.4 in (21.3 cm)	21.0 oz (595 g)
SOCOM260-RC2-DE	084871327725	6 mm / 6.5 mm / .260	High-Temp Alloy & Stainless Steel	DLC and Cerakote™ Finish	1.5 in (3.8 cm)	8.4 in (21.3 cm)	21.0 oz (595 g)
SOCOM260-TI-BK	084871327336	6 mm / 6.5 mm / .260	Titanium Alloy	DLC and Cerakote™ Finish	1.5 in (3.8 cm)	7.9 in (20.0 cm)	11.0 oz (312 g)
SOCOM260-TI-DE	084871327343	6 mm / 6.5 mm / .260	Titanium Alloy	DLC and Cerakote™ Finish	1.5 in (3.8 cm)	7.9 in (20.0 cm)	11.0 oz (312 g)
SOCOM300-SPS-BK	084871324540	7.62 mm	High-Temp Alloy & Stainless Steel	DLC and Cerakote™ Finish	1.5 in (3.8 cm)	7.9 in (20.0 cm)	20 oz (566 g)
SOCOM300-SPS-DE	084871324557	7.62 mm	High-Temp Alloy & Stainless Steel	DLC and Cerakote™ Finish	1.5 in (3.8 cm)	7.9 in (20.0 cm)	20 oz (566 g)
SOCOM300-TI-BK	084871328227	7.62 mm	Titanium Alloy	DLC and Cerakote™ Finish	1.5 in (3.8 cm)	7.9 in (20.0 cm)	11.0 oz (312 g)
SOCOM300-TI-DE	084871328234	7.62 mm	Titanium Alloy	DLC and Cerakote™ Finish	1.5 in (3.8 cm)	7.9 in (20.0 cm)	11.0 oz (312 g)
SOCOM338-TI-BK	084871324137	.338	Titanium Alloy	DLC and Cerakote™ Finish	2.0 in (5.1 cm)	9.9 in (25.1 cm)	22.0 oz (623 g)
SOCOM338-TI-DE	084871324144	.338	Titanium Alloy	DLC and Cerakote™ Finish	2.0 in (5.1 cm)	9.9 in (25.1 cm)	22.0 oz (623 g)
SOCOM556-MINI2-BK	084871324465	5.56 mm	High-Temp Alloy & Stainless Steel	DLC and Cerakote™ Finish	1.5 in (3.8 cm)	5.0 in (12.7 cm)	15 oz (425 g)
SOCOM556-MINI2-DE	084871324472	5.56 mm	High-Temp Alloy & Stainless Steel	DLC and Cerakote™ Finish	1.5 in (3.8 cm)	5.0 in (12.7 cm)	15 oz (425 g)
SOCOM556-MG-BK	084871320009	5.56 mm	High-Temp Alloy & Stainless Steel	DLC and Cerakote™ Finish	1.5 in (3.8 cm)	6.9 in (17.5 cm)	23 oz (652 g)
SOCOM556-MG-DE	084871320016	5.56 mm	High-Temp Alloy & Stainless Steel	DLC and Cerakote™ Finish	1.5 in (3.8 cm)	6.9 in (17.5 cm)	23 oz (652 g)
SOCOM556-RC2-BK	084871318990	5.56 mm	High-Temp Alloy & Stainless Steel	DLC and Cerakote™ Finish	1.5 in (3.8 cm)	6.2 in (15.7 cm)	17.0 oz (482 g)
SOCOM556-RC2-DE	084871318983	5.56 mm	High-Temp Alloy & Stainless Steel	DLC and Cerakote™ Finish	1.5 in (3.8 cm)	6.2 in (15.7 cm)	17.0 oz (482 g)
SOCOM556-SB2-BK	084871324564	5.56 mm	High-Temp Alloy & Stainless Steel	DLC and Cerakote™ Finish	1.5 in (3.8 cm)	6.3 in (16.0 cm)	17.0 oz (482 g)
SOCOM556-SB2-DE	084871324571	5.56 mm	High-Temp Alloy & Stainless Steel	DLC and Cerakote™ Finish	1.5 in (3.8 cm)	6.3 in (16.0 cm)	17.0 oz (482 g)
SOCOM762-MINI2-BK	084871324526	7.62 mm	High-Temp Alloy & Stainless Steel	DLC and Cerakote™ Finish	1.5 in (3.8 cm)	6.3 in (16.0 cm)	17.0 oz (482 g)
SOCOM762-MINI2-DE	084871324533	7.62 mm	High-Temp Alloy & Stainless Steel	DLC and Cerakote™ Finish	1.5 in (3.8 cm)	6.3 in (16.0 cm)	17.0 oz (482 g)
SOCOM762-MG-BK	084871319935	7.62 mm	High-Temp Alloy & Stainless Steel	DLC and Cerakote™ Finish	1.5 in (3.8 cm)	9.3 in (23.6 cm)	29 oz (822 g)
SOCOM762-MG-DE	084871319942	7.62 mm	High-Temp Alloy & Stainless Steel	DLC and Cerakote™ Finish	1.5 in (3.8 cm)	9.3 in (23.6 cm)	29 oz (822 g)
SOCOM762-RC2-BK	084871324502	7.62 mm	High-Temp Alloy & Stainless Steel	DLC and Cerakote™ Finish	1.5 in (3.8 cm)	8.4 in (21.3 cm)	21 oz (595 g)
SOCOM762-RC2-DE	084871324519	7.62 mm	High-Temp Alloy & Stainless Steel	DLC and Cerakote™ Finish	1.5 in (3.8 cm)	8.4 in (21.3 cm)	21 oz (595 g)
SF-OBC-556	084871327367	5.56 mm	Alloy Steel	Anti-Friction Coating	Mil-Spec	7.5 in (19 cm)	13.6 oz (385 g)
H9 BUFFER	084871324861	5.56mm / 7.62mm	Tungsten and Stainless Steel	-	Mil-Spec	3.2 in (8.1 cm)	9 oz (255 g)
SF-R00-338	084871325912	.338	Heat-treated Stainless Steel	-	-	-	-
SF-R00-68	084871325905	6.8 mm	Heat-treated Stainless Steel	-	-	-	-
SF-R00-556	084871325875	5.56 mm	Heat-treated Stainless Steel	-	-	-	-
SF-R00-762	084871325882	7.62 mm	Heat-treated Stainless Steel	-	-	-	-
SF-R00-65	084871325899	6.5 mm	Heat-treated Stainless Steel	-	-	-	-
SF-SC300-BK	084871328173		Suppressor Cover, SOCOM300-SPS, Black				
SF-SC556-BK	084871326018		Suppressor Cover, SOCOM556-RC/2, Black				
SF-SC762-BK	084871326049		Suppressor Cover, SOCOM762-RC/2, Black				
SFHOLSTER-KIT1	084871321648		Holster for Suppressor up to 6"				
SFHOLSTER-KIT2	084871321655		Holster for Suppressor up to 7"				

ADAPTERS & ACCESSORIES

PART #	UPC	CALIBER	CONSTRUCTION	COATING	LENGTH	WEIGHT
3P-ELIMINATOR-556-1/2-28	084871323505	5.56 mm	Heat-treated Chromoly Steel	Nitride Finish	2.6 in (6.6 cm)	3.7 oz (104 g)
3P-ELIMINATOR-762-1/2-28	084871324380	7.62 mm	Heat-treated Chromoly Steel	Nitride Finish	2.8 in (7.1 cm)	3.5 oz (99 g)
PROCOMP-556-1/2-28	084871323512	5.56 mm	Heat-treated Chromoly Steel	Nitride Finish	2.5 in (6.3 cm)	3.4 oz (96 g)
PROCOMP-762-5/8-24	084871323741	7.62 mm	Heat-treated Chromoly Steel	Nitride Finish	2.7 in (6.8 cm)	3.1 oz (87 g)
SF3P-260-5/8-24	084871327770	6 mm / 6.5 mm / .260	Heat-treated Stainless Steel	DLC coating	2.8 in (7.1 cm)	3.9 oz (110 g)
SF3P-508MG-M2HB	084871327374	50 caliber	Chromoly / Stainless Steel	DLC / Nitride coating	6.1 in (15.5 cm)	36 oz (1020 g)
SF3P-556-1/2-28	084871319119	5.56 mm	Heat-treated Stainless Steel	DLC coating	2.6 in (6.6 cm)	3.9 oz (110 g)
SF3P-556-AUG*	084871319140	5.56 mm	Heat-treated Stainless Steel	DLC coating	2.7 in (6.8 cm)	3.9 oz (110 g)
SF3P-556-636C*	084871319157	5.56 mm	Heat-treated Stainless Steel	DLC coating	3.1 in (7.8 cm)	4.4 oz (124 g)
SF3P-556-M15x1*	084871319164	5.56 mm	Heat-treated Stainless Steel	DLC coating	2.6 in (6.6 cm)	3.8 oz (107 g)
SF3P-556-M24X1.5	084871319232	5.56 mm	Heat-treated Stainless Steel	DLC coating	3.7 in (9.3 cm)	6.3 oz (178 g)
SF3P-556-MP7	084871326766	5.56 mm	Heat-treated Stainless Steel	DLC coating	3.0 in (7.6 cm)	5.4 oz (153 g)
SF3P-556-MK46	084871319126	5.56 mm	Heat-treated Stainless Steel	DLC coating	2.7 in (6.8 cm)	3.7 oz (104 g)
SF3P-762-1/2-28	084871325004	7.62 mm	Heat-treated Stainless Steel	DLC coating	2.8 in (7.1 cm)	3.9 oz (110 g)
SF3P-762-5/8-24	084871319171	7.62 mm	Heat-treated Stainless Steel	DLC coating	2.8 in (7.1 cm)	3.8 oz (107 g)
SF3P-762-FAL*	084871319225	7.62 mm	Heat-treated Stainless Steel	DLC coating	2.9 in (7.3 cm)	4.0 oz (113 g)
SF3P-762-M14*	084871319218	7.62 mm	Heat-treated Stainless Steel	DLC coating	3.3 in (8.3 cm)	4.0 oz (113 g)
SF3P-762-M14x1 LH	084871319201	7.62 mm	Heat-treated Stainless Steel	DLC coating	2.7 in (6.8 cm)	4.0 oz (113 g)
SF3P-762-M15X1	084871319188	7.62 mm	Heat-treated Stainless Steel	DLC coating	2.8 in (7.1 cm)	3.8 oz (107 g)
SF3P-762MG-5/8-24	084871324328	7.62 mm	Heat-treated Stainless Steel	DLC coating	3.0 in (7.6 cm)	5.5 oz (155 g)
SF3P-762MG-M240	084871319959	7.62 mm	Heat-treated Stainless Steel	DLC coating	3.0 in (7.6 cm)	5.5 oz (155 g)
SF3P-762-SR25*	084871319195	7.62 mm	Heat-treated Stainless Steel	DLC coating	2.6 in (6.6 cm)	3.4 oz (96 g)
SFCT-556-1/2-28	084871325103	5.56 mm	Heat-treated Stainless Steel	DLC coating	2.3 in (5.9 cm)	2.6 oz (73 g)
SFMB-260-5/8-24	084871327350	6 mm / 6.5 mm / .260	Heat-treated Stainless Steel	DLC coating	2.6 in (6.6 cm)	3.5 oz (99 g)
SFMB-338-3/4-24	084871324175	.338 caliber	Heat-treated Stainless Steel	DLC coating	3.2 in (8.1 cm)	5.7 oz (161 g)
SFMB-338-5/8-24	084871324182	.338 caliber	Heat-treated Stainless Steel	DLC coating	3.2 in (8.1 cm)	5.7 oz (161 g)
SFMB-338-M18X1	084871324168	.338 caliber	Heat-treated Stainless Steel	DLC coating	3.2 in (8.1 cm)	5.4 oz (153 g)
SFMB-338-M18X1.5	084871324151	.338 caliber	Heat-treated Stainless Steel	DLC coating	3.2 in (8.1 cm)	5.4 oz (153 g)
SFMB-556-1/2-28	084871319256	5.56 mm	Heat-treated Stainless Steel	DLC coating	2.6 in (6.6 cm)	3.9 oz (110 g)
SFMB-68-5/8-24	084871319898	6.8 mm	Heat-treated Stainless Steel	DLC coating	2.6 in (6.6 cm)	3.4 oz (96 g)
SFMB-762-5/8-24	084871319263	7.62 mm	Heat-treated Stainless Steel	DLC coating	2.6 in (6.6 cm)	3.0 oz (85 g)
SFMB-762-M18x1	084871319287	7.62 mm	Heat-treated Stainless Steel	DLC coating	2.6 in (6.6 cm)	3.0 oz (85 g)
SFMB-762-M18x1.5	084871319294	7.62 mm	Heat-treated Stainless Steel	DLC coating	2.6 in (6.6 cm)	3.0 oz (85 g)
WARCOMP-260-5/8-24	084871327763	6 mm / 6.5 mm / .260	Heat-treated Stainless Steel	DLC coating	2.9 in (7.3 cm)	3.6 oz (102 g)
WARCOMP-556-1/2-28	084871324625	5.56 mm	Heat-treated Stainless Steel	DLC coating	2.7 in (6.8 cm)	3.8 oz (107 g)
WARCOMP-556-CTN-1/2-28	084871325516	5.56 mm	Heat-treated Stainless Steel	DLC coating	2.4 in (6.0 cm)	2.7 oz (76 g)
WARCOMP-556-M15x1	084871325530	5.56 mm	Heat-treated Stainless Steel	DLC coating	2.9 in (7.3 cm)	3.9 oz (110 g)
WARCOMP-762-5/8-24	084871324632	7.62 mm	Heat-treated Stainless Steel	DLC coating	2.9 in (7.3 cm)	3.6 oz (102 g)
WARCOMP-762-AK47	084871325141	7.62 mm	Heat-treated Stainless Steel	DLC coating	3.0 in (7.6 cm)	4.0 oz (113 g)
WARCOMP-762-M15x1	084871325950	7.62 mm	Heat-treated Stainless Steel	DLC coating	2.9 in (7.3 cm)	3.6 oz (102 g)
WARDEN-BK	084871325080	5.56 / 7.62 mm	Heat-treated Stainless Steel	Cerakote™ Finish	3.5 in (8.8 cm)	7.8 oz (221 g)
WARDEN-DE	084871325097	5.56 / 7.62 mm	Heat-treated Stainless Steel	Cerakote™ Finish	3.5 in (8.8 cm)	7.8 oz (221 g)
WARDEN-1/2-28-BK	084871328180	5.56 mm	Heat-treated Stainless Steel	Cerakote™ Finish	3.0 in (7.6 cm)	6.1 oz (172 g)
WARDEN-5/8-24-BK	084871328197	7.62 mm	Heat-treated Stainless Steel	Cerakote™ Finish	3.0 in (7.6 cm)	6.1 oz (172 g)
SF-ACST-556	084871326506	5.56 mm SOCOM Adapters	Heat-treated Stainless Steel	Nitride Finish	2.4 in (6.0 cm)	2.7 oz (76 g)
SF-ACST-762	084871326513	7.62 mm SOCOM Adapters	Heat-treated Stainless Steel	Nitride Finish	2.4 in (6.0 cm)	2.7 oz (76 g)
RBC-556-CTN-BK	084871326667	5.56 mm	Heat-treated Stainless Steel	DLC and Cerakote™ Finish	4.0 in (10.1cm)	15 oz (425g)
Z-70031	084871323734		Replacement Shim Kit for FH556RC-1/2-28			
Z-70121	084871326339		Replacement Shim Kit for FH762RC-5/8-24			
Z-71347	084871327459		3 prong wrench			
Z-71348	084871323536		Required spacer for small diameter barrel with a shoulder diameter between .560-.615			
Z-71652	084871					

PART #	UPC	NRR RATING	SNR RATING
EA10-UAC-ST	084871328784	-	-
ELA2-BK-MPR	084871325455	-	-
ELA2-CLR-MPR	084871325448	-	-
ELU1-BK-MPR	084871325431	-	-
ELU1-CLR-MPR	084871325424	-	-
EP10-LPR	084871323260	30 dB	29 dB
EP10-MPR	084871323284	30 dB	29 dB
EP10-SPR	084871323307	30 dB	29 dB
EP10-BK-LPR	084871323208	30 dB	29 dB
EP10-BK-MPR	084871323222	30 dB	29 dB
EP10-BK-SPR	084871323246	30 dB	29 dB
EP10-OR-LPR	084871323321	30 dB	29 dB
EP10-OR-MPR	084871323345	30 dB	29 dB
EP10-OR-SPR	084871323369	30 dB	29 dB
EP3-BK-LPR	084871315173	Open: 11 Closed: 24 dB	Open: 18 Closed: 26 dB
EP3-BK-MPR	084871315166	Open: 11 Closed: 24 dB	Open: 18 Closed: 26 dB
EP3-BK-SPR	084871315159	Open: 11 Closed: 24 dB	Open: 18 Closed: 26 dB
EP3-LPR	084871250610	Open: 11 Closed: 24 dB	Open: 18 Closed: 26 dB
EP3-MPR	084871250603	Open: 11 Closed: 24 dB	Open: 18 Closed: 26 dB
EP3-SPR	084871250641	Open: 11 Closed: 24 dB	Open: 18 Closed: 26 dB
EP4-BK-LPR	084871315203	Open: 12 Closed: 24 dB	Open: 19 Closed: 27 dB
EP4-BK-MPR	084871315197	Open: 12 Closed: 24 dB	Open: 19 Closed: 27 dB
EP4-BK-SPR	084871315180	Open: 12 Closed: 24 dB	Open: 19 Closed: 27 dB
EP4-LPR	084871311434	Open: 12 Closed: 24 dB	Open: 19 Closed: 27 dB
EP4-MPR	084871311526	Open: 12 Closed: 24 dB	Open: 19 Closed: 27 dB
EP4-SPR	084871315128	Open: 12 Closed: 24 dB	Open: 19 Closed: 27 dB
EP4-OR-MPR	084871318884	Open: 12 Closed: 24 dB	Open: 19 Closed: 27 dB
EP5-BK-LPR	084871317948	26 dB	31 dB
EP5-BK-MPR	084871317931	26 dB	31 dB
EP5-BK-SPR	084871317924	26 dB	31 dB
EP5-OR-MPR	084871317962	26 dB	31 dB
EP7-BK-LPR	084871319430	Open: 14 Closed: 28 dB	Open: 20 Closed: 32 dB
EP7-BK-MPR	084871319423	Open: 14 Closed: 28 dB	Open: 20 Closed: 32 dB
EP7-BK-SPR	084871319416	Open: 14 Closed: 28 dB	Open: 20 Closed: 32 dB
EP7-MPR	084871319393	Open: 14 Closed: 28 dB	Open: 20 Closed: 32 dB
EP7-COMPLY-ST-3LPR	084871320047	6 each Short Large, Comply Tips	
EP7-COMPLY-ST-3MPR	084871320030	6 each Short Standard, Comply Tips	
EP7-COMPLY-ST-3SPR	084871320023	6 each Short Slim, Comply Tips	
Z-90263	084871327022	Universal Acoustic Coupler	

ACCESSORIES

PART #	UPC	NOTES
DD-RTS-FO	084871322638	Red, green, and yellow fiber optic front sigh (incl.)
DD-RTS-SET	084871316187	Iron Sights
DD-RTS-TRITIUM	084871322645	Tritium front and rear dots for low-light conditions
MAG5-60	084871315814	5.56 mm / 8.7" (22.1 cm) / 6.4 oz (181 g) / Mil-Spec hard-anodized aluminum
SF-D8C-556	084871327367	5.56 mm / Anti-friction coating / Long-Stroke Buffer, and Improved Buffer Spring Included
V92	084871316675	Molle Pouch, for MAG5-60, Coyote Brown, Berry Amendment Compliant
MB10	084871880107	Battery Carrier Assembly, MB10
MB20	084871880206	Battery Carrier Assembly, MB20
SC1	084871880046	Spares Carrier, Holds 6 SF123A Batteries and One P60/P90 Lamp Assembly
SF1200-BULK	084871820189	SF123A Bulk Box, 1200 Cells
SF12A-BB CS	084871820196	12 SF123A Batteries, Clamshell Packaging
SF12-BB	084871820134	12 SF123A Batteries, Boxes
SF18650B	084871328050	18650 Protected Lithium Ion SureFire Battery 2.6Ah
SF2-CB	084871820141	2 SF123A Batteries, Carded (Must order in multiples of 12 units)
SF2R-CB	084871318532	2 LFP123 LI-FE-PH Rechargeable Cells, Carded
SF2R-CHARGEKIT02	084871325295	Smart AC Wall and DC Charger with Two LFP123A LI-FE-PH Rechargeable Cells
SF38400-BULK	084871820233	SF123A Bulk, 38400 Cells
SF400-BULK	084871820240	SF123A Bulk Box, 400 Cells
SF6-BC	084871310901	6 SF123A Batteries with holder in clamshell package (Must order in multiples of 6 units)
SF72-BB	084871820165	SF123A, 6 boxes of 12 Cells

NSN PRODUCTS

PART #	NSN
6PX-C-BK	6230-01-623-4223
DG-14	5930-01-560-3165
DG-15	5930-01-534-7002
DG-19	5930-01-540-3215
DG-23	5930-01-547-7717
EP3-BK-LPR	6515-01-603-3453
EP3-BK-MPR	6515-01-603-3450
EP3-BK-MPR-BULK	6515-01-606-4544
EP3-BK-SPR	6515-01-603-3448
EP3-LPR	6515-01-549-6457
EP3-LPR-BULK	6515-01-606-4499
EP3-MPR	6515-01-549-6453
EP3-MPR-BULK	6515-01-606-4498
EP3-SPR	6515-01-549-6448
EP3-SPR-BULK	6515-01-606-4493
EP4-BK-LPR-BULK	6515-01-606-4558
EP4-BK-MPR-BULK	6515-01-606-4552
EP4-BK-SPR-BULK	6515-01-606-4549
EP4-LPR-BULK	6515-01-606-4568
EP4-MPR-BULK	6515-01-606-4565
EP4-SPR-BULK	6515-01-606-4560
EP7-BK-LPR-BULK	6515-01-622-2558
EP7-BK-MPR-BULK	6515-01-622-2539
EP7-BK-SPR-BULK	6515-01-622-2019
EP7-MPR-BULK	6515-01-622-2001
FA556SA	1005-01-569-2266
FA556-212	1005-01-585-5664
FA762SS	1005-01-565-6164
FA762K	1005-01-599-7027
FH556-212A	1005-01-554-3051
FH556-216A	1005-01-565-2672
FH556RC-1/2-28	1005-01-599-7048
FH762RC-5/8-24	1005-01-599-7060
FH762K05	1005-01-599-7060
G2X-D-BK	6230-01-617-9616
G2ZX-C-BK	6230-01-532-3740
HL1-A-BK	6220-01-594-0581
HL1-A-TN	6220-01-549-4174
HL1-B-TN	6220-01-549-4184

PART #	NSN
HL1-C-TN	6220-01-549-4203
HL1-D-TN	6220-01-549-4218
HS3-A-BK	6230-01-622-0311
M300V-B-Z68-BK	6230-01-657-1683
M600V-B-Z68-BK	5855-01-660-5088
MAG5-60	1005-01-611-2183
MB762SSAL/RE	1005-01-565-6165
MN03	6240-01-522-6615
MRT1	1005-01-631-4924
P60	6240-01-513-6526
SF-BFA-556	1005-01-608-7572
SF-BFA-762	1005-01-608-7566
SF-BSD-556	1005-01-660-6656
SF-TRAINER-556	1005-01-608-7565
SF-TRAINER-762	1005-01-608-7570
SF12-BB	6135-01-351-1131
SF3P-556-MK46	1005-01-618-3966
SF3P-762MG-M240	1005-01-618-3950
SFMB-260-5/8-24	1005-01-624-1219
SFMB-762-5/8-24	1005-01-624-1219
SC1	6240-01-532-4209
SOCOM556-MG	1005-01-626-8765
SOCOM556-RC	1005-01-599-6997
SOCOM762-MG	1005-01-630-7106
SOCOM762-RC	1005-01-624-1224
SR07	5930-01-600-4327
SR07-D-IT	5930-01-623-5207
SR09-D-IT	5930-01-581-6956
ST07	5930-01-531-2192
UE07	6150-01-594-3669
V70	6230-01-523-6437
X300U-A	6230-01-617-8332
X300U-A & DG-14	1290-01-580-8456
XM07	5340-01-528-3149
Z68	5930-01-605-9781
Z71	6220-01-549-4288

"THIS IS ALL ABOUT WINNING THE FIGHT"

- DR. JOHN MATTHEWS



18300 MT. BALDY CIRCLE • FOUNTAIN VALLEY
CA 92708 • U.S.A • SUFIRE.COM